



**ARCHITECTURAL STREET FURNISHINGS**

[www.asfco.co.uk](http://www.asfco.co.uk) [info@asfco.co.uk](mailto:info@asfco.co.uk) 01484 401414

**CAST IRON  
TREE GRILLES  
& TREE GUARDS**





## ASF Cast Iron Tree Grille

Pages 2 - 38

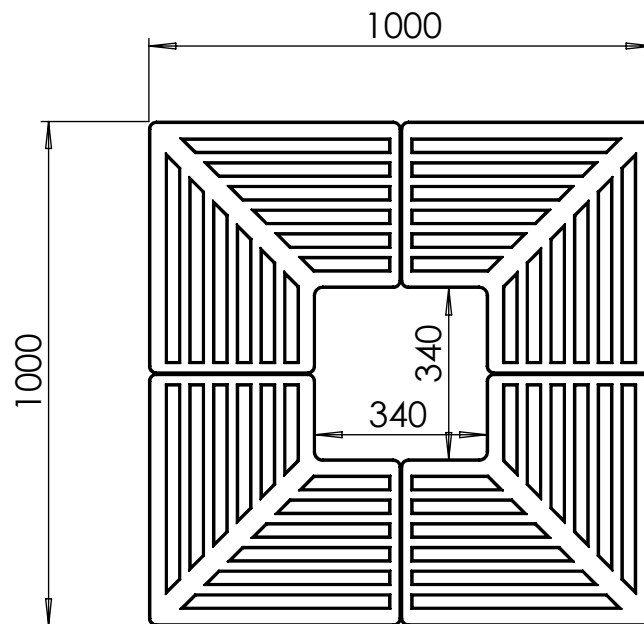
35 Products



## ASF Steel Tree Guards

Pages 39 - 46

8 Products



1:15

## Tree Grille | ASF 301 Recycled Cast Iron Tree Grille

**Material:**

100% recycled engineering grade 250 cast iron as standard. Also available in any grade of recycled ductile cast iron

**Standard Finish:**

Zinc rich primer and metal shield top coat. Finished as standard in satin black, also available in any RAL/BS colour

**Irrigation Holes & Covers:**

ASF can supply tree grilles with irrigation holes and covers. Pattern alterations can also be made to allow grilles to accept uplighters

**Supporting Frames:**

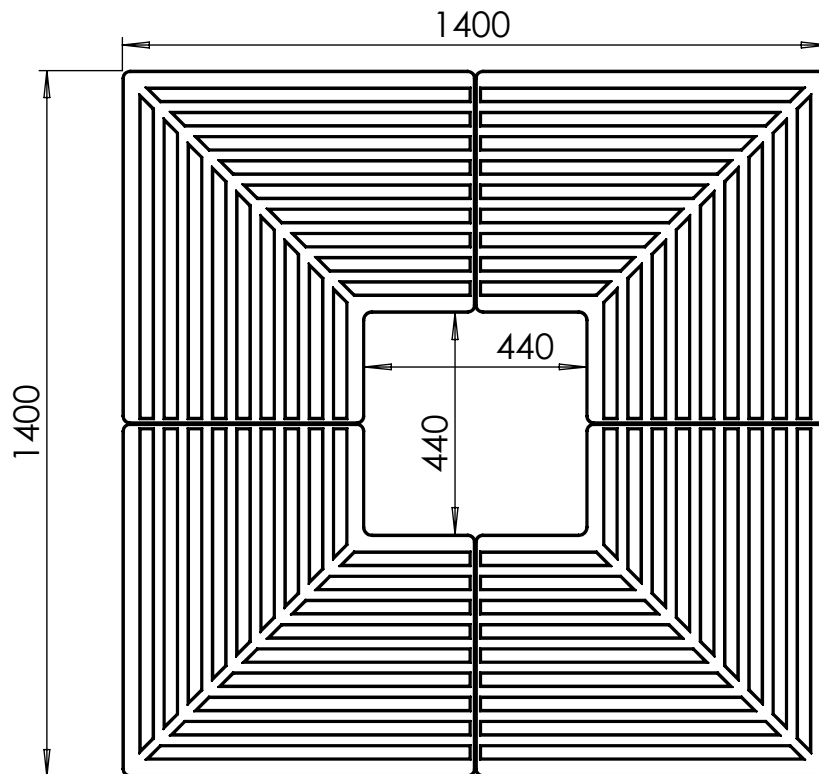
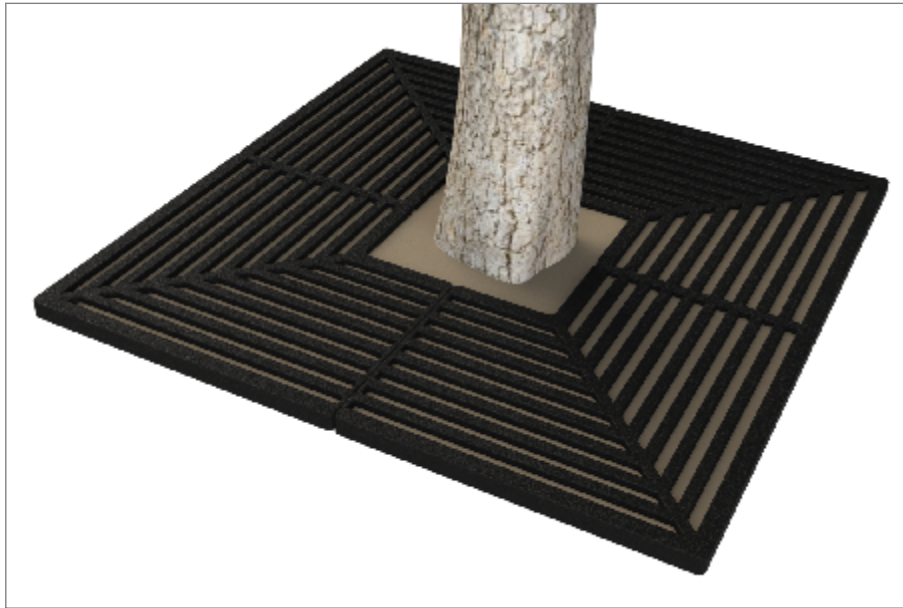
Tree Grilles can be supplied with a range of supporting frames

**Tree Guards:**

ASF offers a large range of tree guards which fix directly to the supporting frames to provide an extremely rigid and effective method of tree protection. See our section on Tree Guards

**Security Clips:**

Security Clips are available to prevent unauthorised removal of the tree grille segments and to further increase the systems rigidity



1:15

## Tree Grille | ASF 302 Recycled Cast Iron Tree Grille

**Material:**

100% recycled engineering grade 250 cast iron as standard. Also available in any grade of recycled ductile cast iron

**Standard Finish:**

Zinc rich primer and metal shield top coat. Finished as standard in satin black, also available in any RAL/BS colour

**Irrigation Holes & Covers:**

ASF can supply tree grilles with irrigation holes and covers. Pattern alterations can also be made to allow grilles to accept uplighters

**Supporting Frames:**

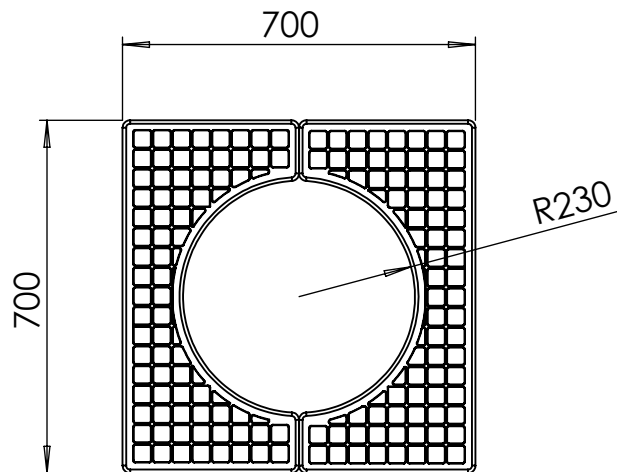
Tree Grilles can be supplied with a range of supporting frames

**Tree Guards:**

ASF offers a large range of tree guards which fix directly to the supporting frames to provide an extremely rigid and effective method of tree protection. See our section on Tree Guards

**Security Clips:**

Security Clips are available to prevent unauthorised removal of the tree grille segments and to further increase the systems rigidity



1:15

## Tree Grille | ASF 303 Recycled Cast Iron Tree Grille

**Material:**

100% recycled engineering grade 250 cast iron as standard. Also available in any grade of recycled ductile cast iron

**Standard Finish:**

Zinc rich primer and metal shield top coat. Finished as standard in satin black, also available in any RAL/BS colour

**Irrigation Holes & Covers:**

ASF can supply tree grilles with irrigation holes and covers. Pattern alterations can also be made to allow grilles to accept uplighters

**Supporting Frames:**

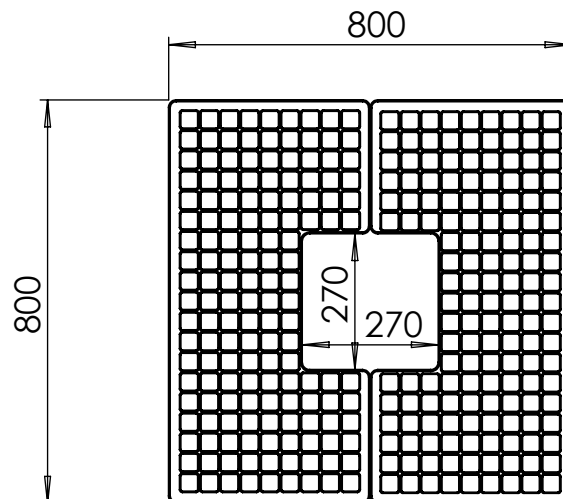
Tree Grilles can be supplied with a range of supporting frames

**Tree Guards:**

ASF offers a large range of tree guards which fix directly to the supporting frames to provide an extremely rigid and effective method of tree protection. See our section on Tree Guards

**Security Clips:**

Security Clips are available to prevent unauthorised removal of the tree grille segments and to further increase the systems rigidity



1:15

## Tree Grille | ASF 304 Recycled Cast Iron Tree Grille

**Material:**

100% recycled engineering grade 250 cast iron as standard. Also available in any grade of recycled ductile cast iron

**Standard Finish:**

Zinc rich primer and metal shield top coat. Finished as standard in satin black, also available in any RAL/BS colour

**Irrigation Holes & Covers:**

ASF can supply tree grilles with irrigation holes and covers. Pattern alterations can also be made to allow grilles to accept uplighters

**Supporting Frames:**

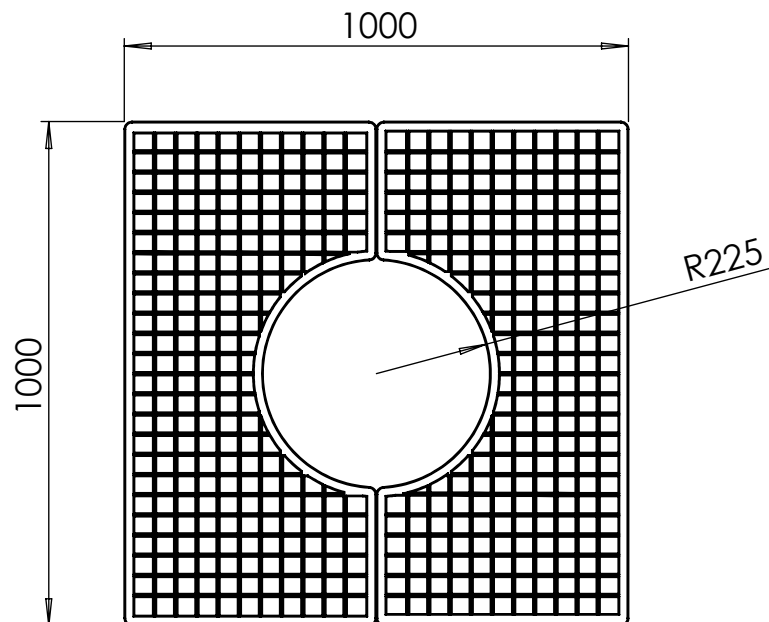
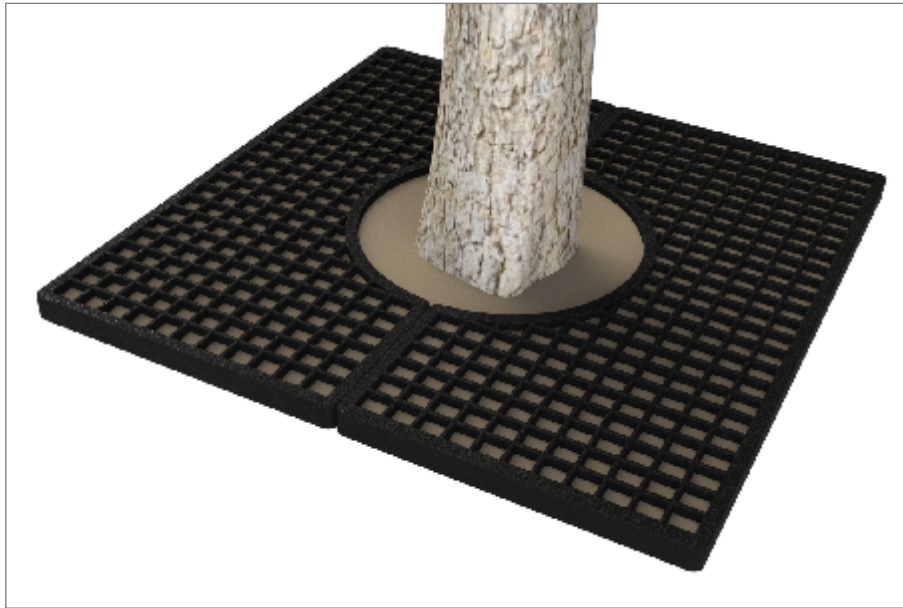
Tree Grilles can be supplied with a range of supporting frames

**Tree Guards:**

ASF offers a large range of tree guards which fix directly to the supporting frames to provide an extremely rigid and effective method of tree protection. See our section on Tree Guards

**Security Clips:**

Security Clips are available to prevent unauthorised removal of the tree grille segments and to further increase the systems rigidity



1:15

## Tree Grille | ASF 305 Recycled Cast Iron Tree Grille

**Material:**

100% recycled engineering grade 250 cast iron as standard. Also available in any grade of recycled ductile cast iron

**Standard Finish:**

Zinc rich primer and metal shield top coat. Finished as standard in satin black, also available in any RAL/BS colour

**Irrigation Holes & Covers:**

ASF can supply tree grilles with irrigation holes and covers. Pattern alterations can also be made to allow grilles to accept uplighters

**Supporting Frames:**

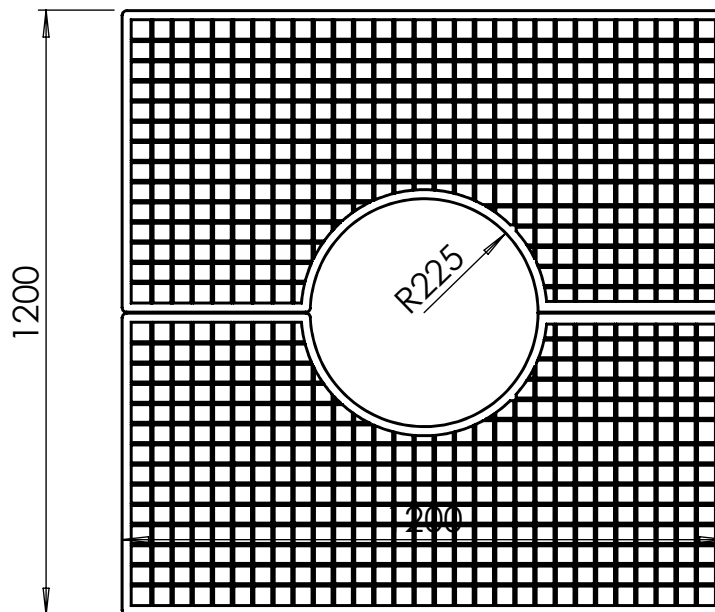
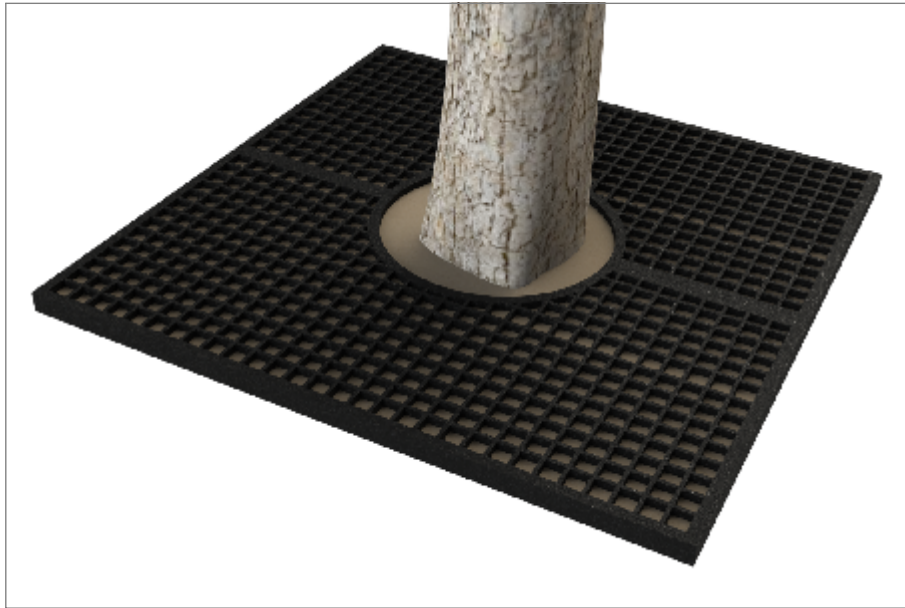
Tree Grilles can be supplied with a range of supporting frames

**Tree Guards:**

ASF offers a large range of tree guards which fix directly to the supporting frames to provide an extremely rigid and effective method of tree protection. See our section on Tree Guards

**Security Clips:**

Security Clips are available to prevent unauthorised removal of the tree grille segments and to further increase the systems rigidity



1:15

## Tree Grille | ASF 306 Recycled Cast Iron Tree Grille

**Material:**

100% recycled engineering grade 250 cast iron as standard. Also available in any grade of recycled ductile cast iron

**Standard Finish:**

Zinc rich primer and metal shield top coat. Finished as standard in satin black, also available in any RAL/BS colour

**Irrigation Holes & Covers:**

ASF can supply tree grilles with irrigation holes and covers. Pattern alterations can also be made to allow grilles to accept uplighters

**Supporting Frames:**

Tree Grilles can be supplied with a range of supporting frames

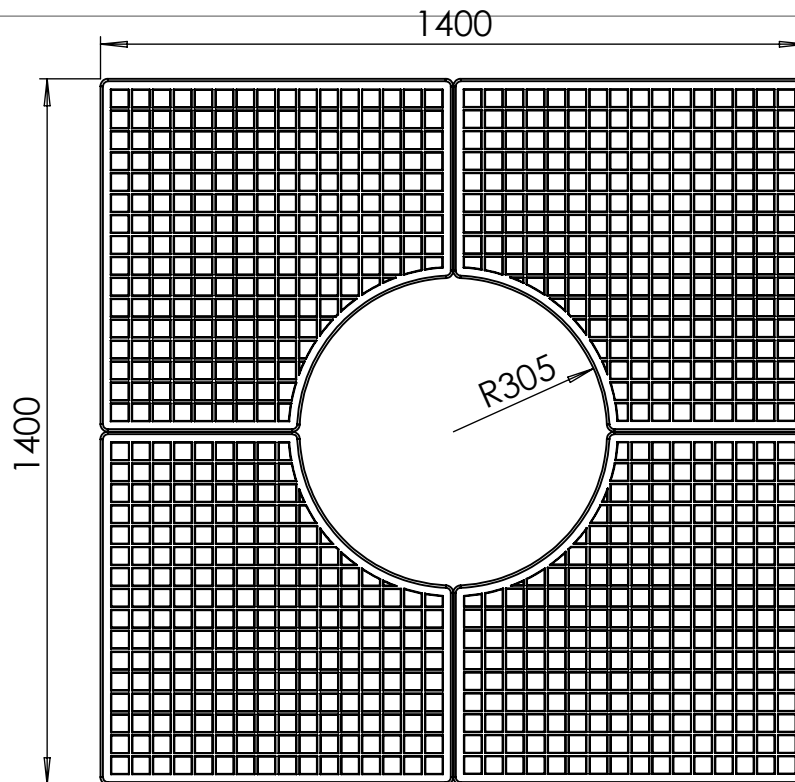
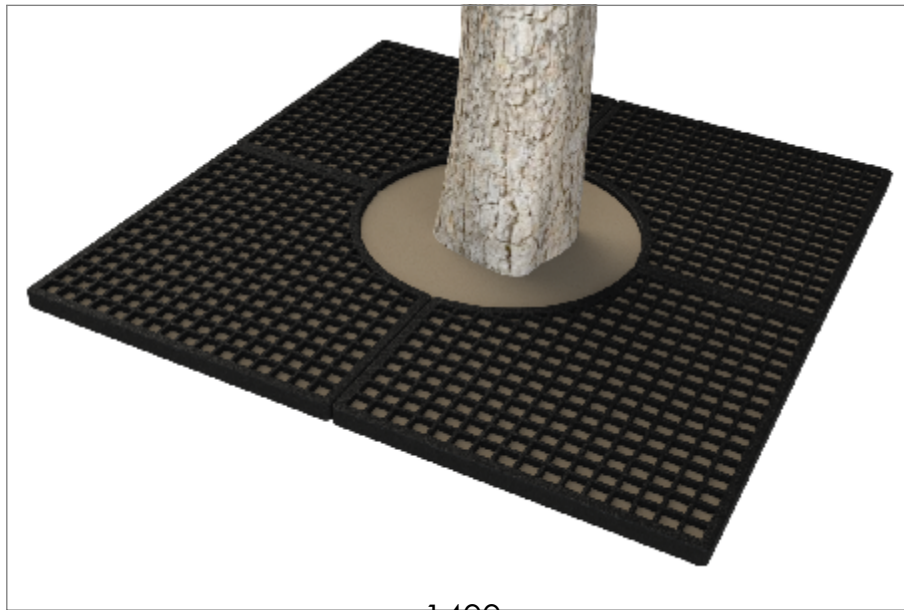
**Tree Guards:**

ASF offers a large range of tree guards which fix directly to the supporting frames to provide an extremely rigid and effective method of tree protection. See our section on Tree Guards

**Security Clips:**

Security Clips are available to prevent unauthorised removal of the tree grille segments and to further increase the systems rigidity





1:15

## Tree Grille | ASF 308 Recycled Cast Iron Tree Grille

**Material:**

100% recycled engineering grade 250 cast iron as standard. Also available in any grade of recycled ductile cast iron

**Standard Finish:**

Zinc rich primer and metal shield top coat. Finished as standard in satin black, also available in any RAL/BS colour

**Irrigation Holes & Covers:**

ASF can supply tree grilles with irrigation holes and covers. Pattern alterations can also be made to allow grilles to accept uplighters

**Supporting Frames:**

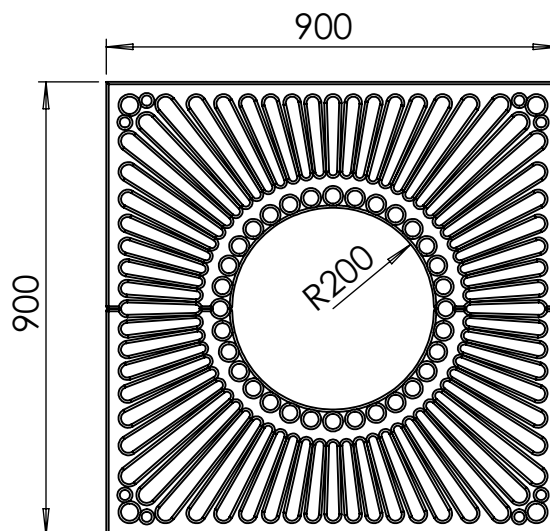
Tree Grilles can be supplied with a range of supporting frames

**Tree Guards:**

ASF offers a large range of tree guards which fix directly to the supporting frames to provide an extremely rigid and effective method of tree protection. See our section on Tree Guards

**Security Clips:**

Security Clips are available to prevent unauthorised removal of the tree grille segments and to further increase the systems rigidity



1:15

## Tree Grille | ASF 309 Recycled Cast Iron Tree Grille

**Material:**

100% recycled engineering grade 250 cast iron as standard. Also available in any grade of recycled ductile cast iron

**Standard Finish:**

Zinc rich primer and metal shield top coat. Finished as standard in satin black, also available in any RAL/BS colour

**Irrigation Holes & Covers:**

ASF can supply tree grilles with irrigation holes and covers. Pattern alterations can also be made to allow grilles to accept uplighters

**Supporting Frames:**

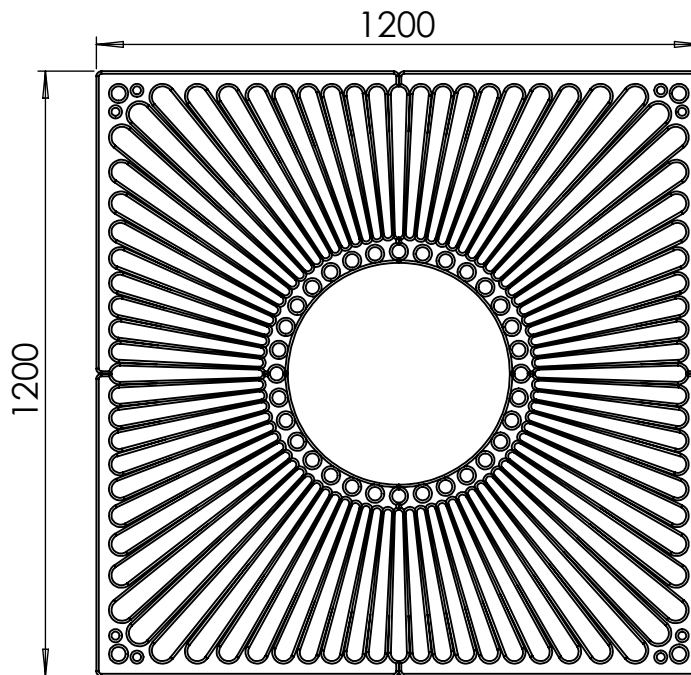
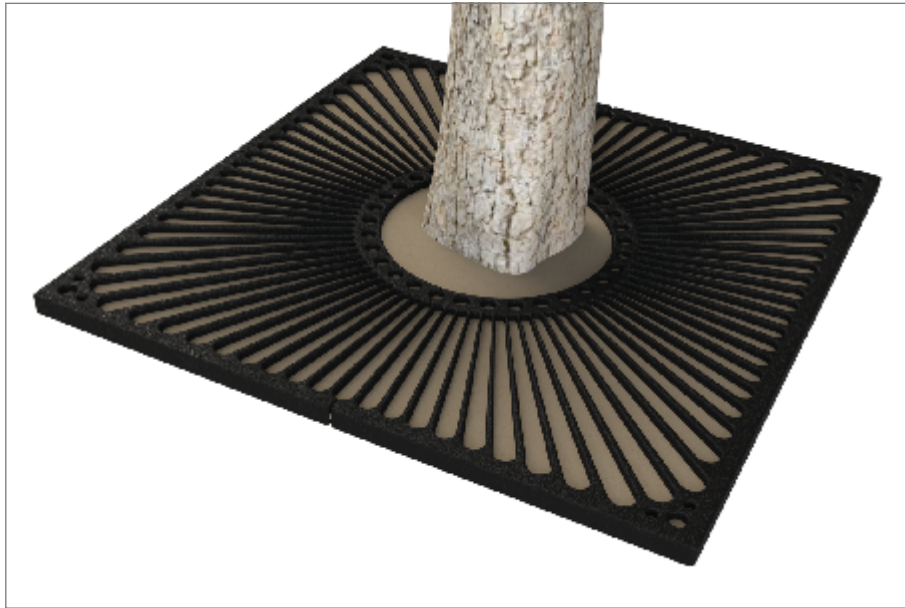
Tree Grilles can be supplied with a range of supporting frames

**Tree Guards:**

ASF offers a large range of tree guards which fix directly to the supporting frames to provide an extremely rigid and effective method of tree protection. See our section on Tree Guards

**Security Clips:**

Security Clips are available to prevent unauthorised removal of the tree grille segments and to further increase the systems rigidity



1:15

## Tree Grille | ASF 310 Recycled Cast Iron Tree Grille

**Material:**

100% recycled engineering grade 250 cast iron as standard. Also available in any grade of recycled ductile cast iron

**Standard Finish:**

Zinc rich primer and metal shield top coat. Finished as standard in satin black, also available in any RAL/BS colour

**Irrigation Holes & Covers:**

ASF can supply tree grilles with irrigation holes and covers. Pattern alterations can also be made to allow grilles to accept uplighters

**Supporting Frames:**

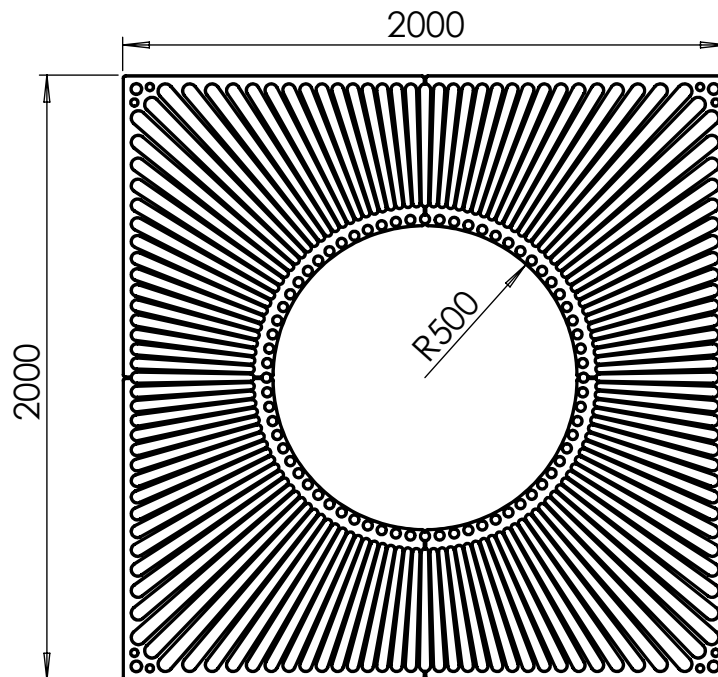
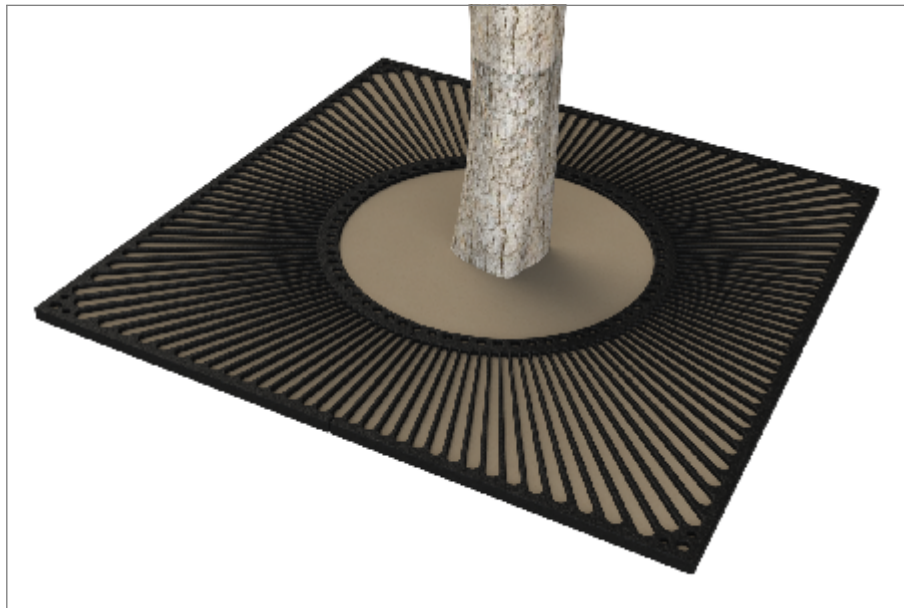
Tree Grilles can be supplied with a range of supporting frames

**Tree Guards:**

ASF offers a large range of tree guards which fix directly to the supporting frames to provide an extremely rigid and effective method of tree protection. See our section on Tree Guards

**Security Clips:**

Security Clips are available to prevent unauthorised removal of the tree grille segments and to further increase the systems rigidity



1:25

## Tree Grille | ASF 311 Recycled Cast Iron Tree Grille

**Material:**

100% recycled engineering grade 250 cast iron as standard. Also available in any grade of recycled ductile cast iron

**Standard Finish:**

Zinc rich primer and metal shield top coat. Finished as standard in satin black, also available in any RAL/BS colour

**Irrigation Holes & Covers:**

ASF can supply tree grilles with irrigation holes and covers. Pattern alterations can also be made to allow grilles to accept uplighters

**Supporting Frames:**

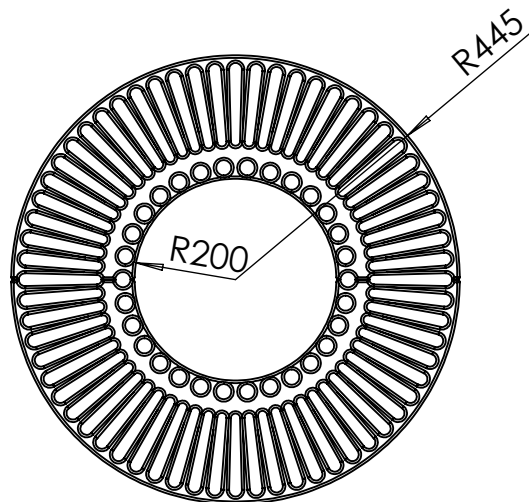
Tree Grilles can be supplied with a range of supporting frames

**Tree Guards:**

ASF offers a large range of tree guards which fix directly to the supporting frames to provide an extremely rigid and effective method of tree protection. See our section on Tree Guards

**Security Clips:**

Security Clips are available to prevent unauthorised removal of the tree grille segments and to further increase the systems rigidity



1:15

## Tree Grille | ASF 312 Recycled Cast Iron Tree Grille

**Material:**

100% recycled engineering grade 250 cast iron as standard. Also available in any grade of recycled ductile cast iron

**Standard Finish:**

Zinc rich primer and metal shield top coat. Finished as standard in satin black, also available in any RAL/BS colour

**Irrigation Holes & Covers:**

ASF can supply tree grilles with irrigation holes and covers. Pattern alterations can also be made to allow grilles to accept uplighters

**Supporting Frames:**

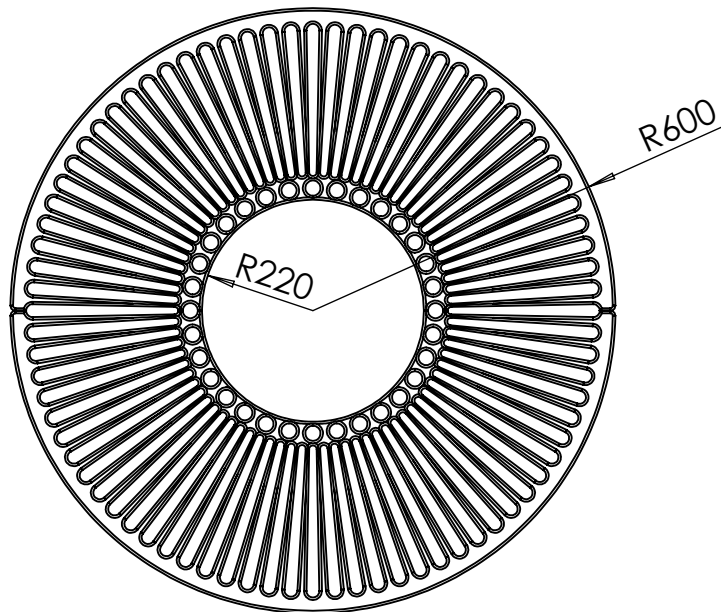
Tree Grilles can be supplied with a range of supporting frames

**Tree Guards:**

ASF offers a large range of tree guards which fix directly to the supporting frames to provide an extremely rigid and effective method of tree protection. See our section on Tree Guards

**Security Clips:**

Security Clips are available to prevent unauthorised removal of the tree grille segments and to further increase the systems rigidity



1:15

## Tree Grille | ASF 313 Recycled Cast Iron Tree Grille

**Material:**

100% recycled engineering grade 250 cast iron as standard. Also available in any grade of recycled ductile cast iron

**Standard Finish:**

Zinc rich primer and metal shield top coat. Finished as standard in satin black, also available in any RAL/BS colour

**Irrigation Holes & Covers:**

ASF can supply tree grilles with irrigation holes and covers. Pattern alterations can also be made to allow grilles to accept uplighters

**Supporting Frames:**

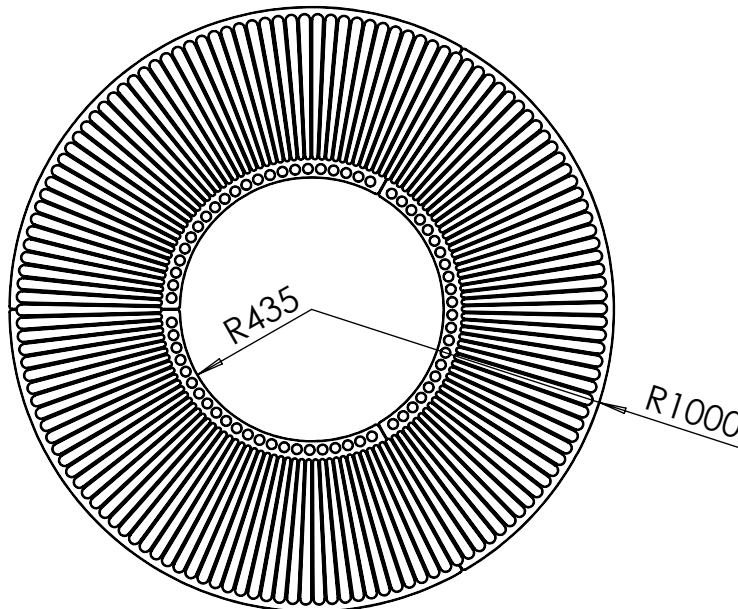
Tree Grilles can be supplied with a range of supporting frames

**Tree Guards:**

ASF offers a large range of tree guards which fix directly to the supporting frames to provide an extremely rigid and effective method of tree protection. See our section on Tree Guards

**Security Clips:**

Security Clips are available to prevent unauthorised removal of the tree grille segments and to further increase the systems rigidity



1:25

## Tree Grille | ASF 314 Recycled Cast Iron Tree Grille

**Material:**

100% recycled engineering grade 250 cast iron as standard. Also available in any grade of recycled ductile cast iron

**Standard Finish:**

Zinc rich primer and metal shield top coat. Finished as standard in satin black, also available in any RAL/BS colour

**Irrigation Holes & Covers:**

ASF can supply tree grilles with irrigation holes and covers. Pattern alterations can also be made to allow grilles to accept uplighters

**Supporting Frames:**

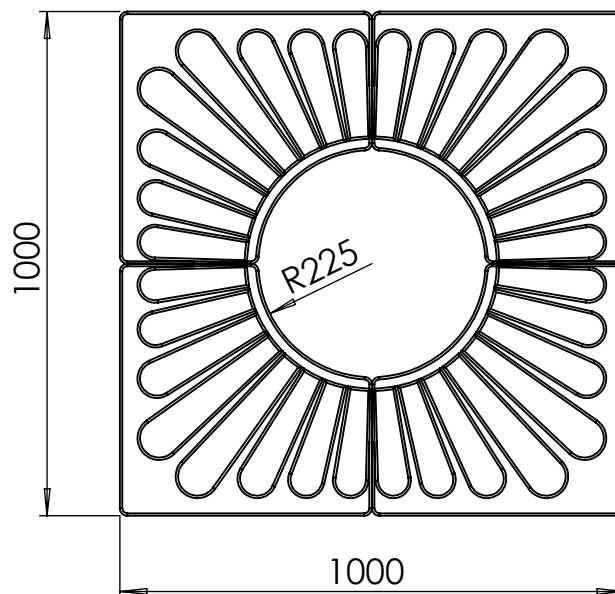
Tree Grilles can be supplied with a range of supporting frames

**Tree Guards:**

ASF offers a large range of tree guards which fix directly to the supporting frames to provide an extremely rigid and effective method of tree protection. See our section on Tree Guards

**Security Clips:**

Security Clips are available to prevent unauthorised removal of the tree grille segments and to further increase the systems rigidity



1:15

## Tree Grille | ASF 315 Recycled Cast Iron Tree Grille

**Material:**

100% recycled engineering grade 250 cast iron as standard. Also available in any grade of recycled ductile cast iron

**Standard Finish:**

Zinc rich primer and metal shield top coat. Finished as standard in satin black, also available in any RAL/BS colour

**Irrigation Holes & Covers:**

ASF can supply tree grilles with irrigation holes and covers. Pattern alterations can also be made to allow grilles to accept uplighters

**Supporting Frames:**

Tree Grilles can be supplied with a range of supporting frames

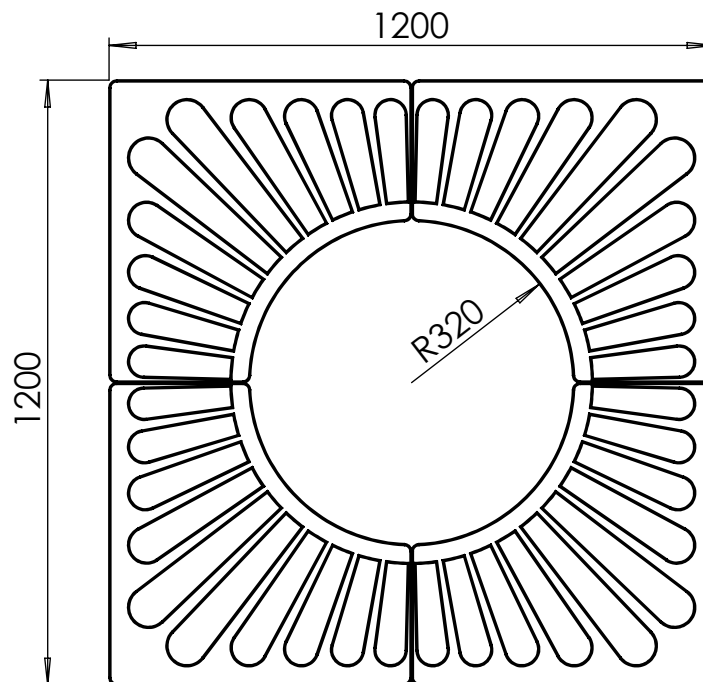
**Tree Guards:**

ASF offers a large range of tree guards which fix directly to the supporting frames to provide an extremely rigid and effective method of tree protection. See our section on Tree Guards

**Security Clips:**

Security Clips are available to prevent unauthorised removal of the tree grille segments and to further increase the systems rigidity





1:15

## Tree Grille | ASF 316 Recycled Cast Iron Tree Grille

**Material:**

100% recycled engineering grade 250 cast iron as standard. Also available in any grade of recycled ductile cast iron

**Standard Finish:**

Zinc rich primer and metal shield top coat. Finished as standard in satin black, also available in any RAL/BS colour

**Irrigation Holes & Covers:**

ASF can supply tree grilles with irrigation holes and covers. Pattern alterations can also be made to allow grilles to accept uplighters

**Supporting Frames:**

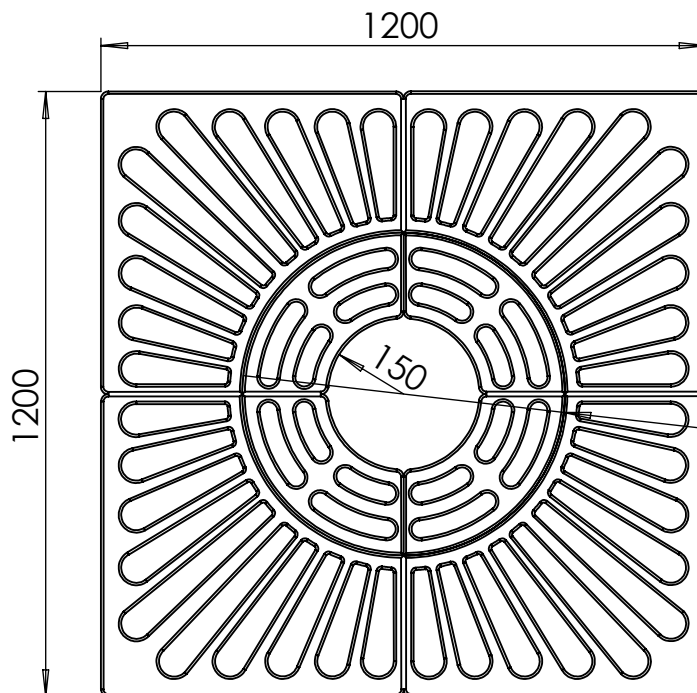
Tree Grilles can be supplied with a range of supporting frames

**Tree Guards:**

ASF offers a large range of tree guards which fix directly to the supporting frames to provide an extremely rigid and effective method of tree protection. See our section on Tree Guards

**Security Clips:**

Security Clips are available to prevent unauthorised removal of the tree grille segments and to further increase the systems rigidity



Ø 640  
Removable inner section  
to allow tree growth

## Tree Grille | ASF 317 Recycled Cast Iron Tree Grille

**Material:**

100% recycled engineering grade 250 cast iron as standard. Also available in any grade of recycled ductile cast iron

**Standard Finish:**

Zinc rich primer and metal shield top coat. Finished as standard in satin black, also available in any RAL/BS colour

**Irrigation Holes & Covers:**

ASF can supply tree grilles with irrigation holes and covers. Pattern alterations can also be made to allow grilles to accept uplighters

**Supporting Frames:**

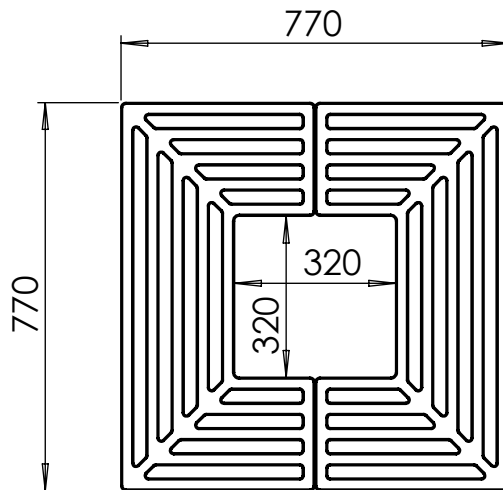
Tree Grilles can be supplied with a range of supporting frames

**Tree Guards:**

ASF offers a large range of tree guards which fix directly to the supporting frames to provide an extremely rigid and effective method of tree protection. See our section on Tree Guards

**Security Clips:**

Security Clips are available to prevent unauthorised removal of the tree grille segments and to further increase the systems rigidity



1:15

## Tree Grille | ASF 319 Recycled Cast Iron Tree Grille

**Material:**

100% recycled engineering grade 250 cast iron as standard. Also available in any grade of recycled ductile cast iron

**Standard Finish:**

Zinc rich primer and metal shield top coat. Finished as standard in satin black, also available in any RAL/BS colour

**Irrigation Holes & Covers:**

ASF can supply tree grilles with irrigation holes and covers. Pattern alterations can also be made to allow grilles to accept uplighters

**Supporting Frames:**

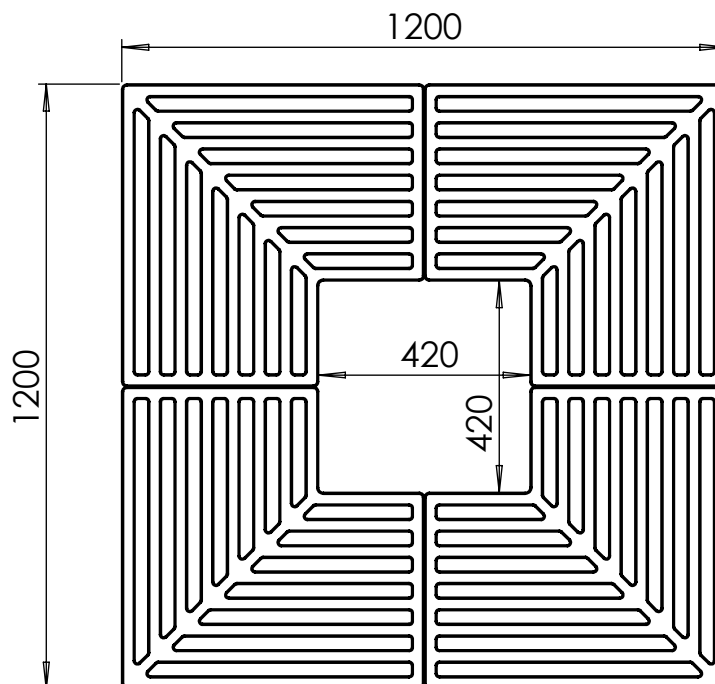
Tree Grilles can be supplied with a range of supporting frames

**Tree Guards:**

ASF offers a large range of tree guards which fix directly to the supporting frames to provide an extremely rigid and effective method of tree protection. See our section on Tree Guards

**Security Clips:**

Security Clips are available to prevent unauthorised removal of the tree grille segments and to further increase the systems rigidity



1:15

## Tree Grille | ASF 320 Recycled Cast Iron Tree Grille

**Material:**

100% recycled engineering grade 250 cast iron as standard. Also available in any grade of recycled ductile cast iron

**Standard Finish:**

Zinc rich primer and metal shield top coat. Finished as standard in satin black, also available in any RAL/BS colour

**Irrigation Holes & Covers:**

ASF can supply tree grilles with irrigation holes and covers. Pattern alterations can also be made to allow grilles to accept uplighters

**Supporting Frames:**

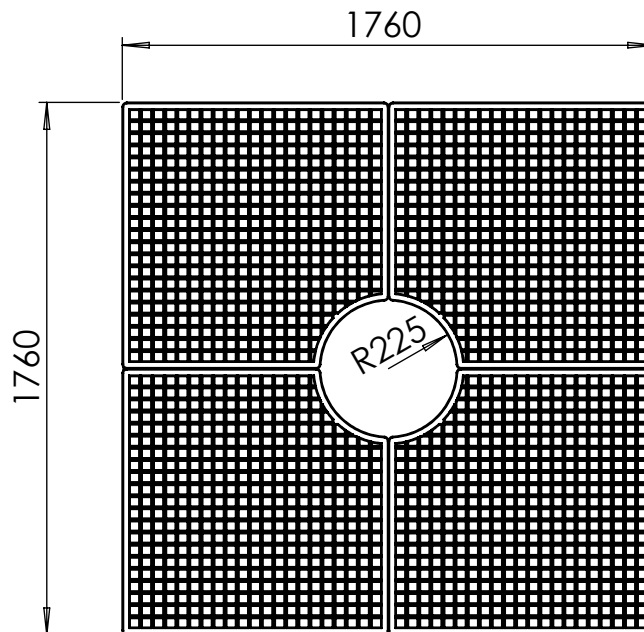
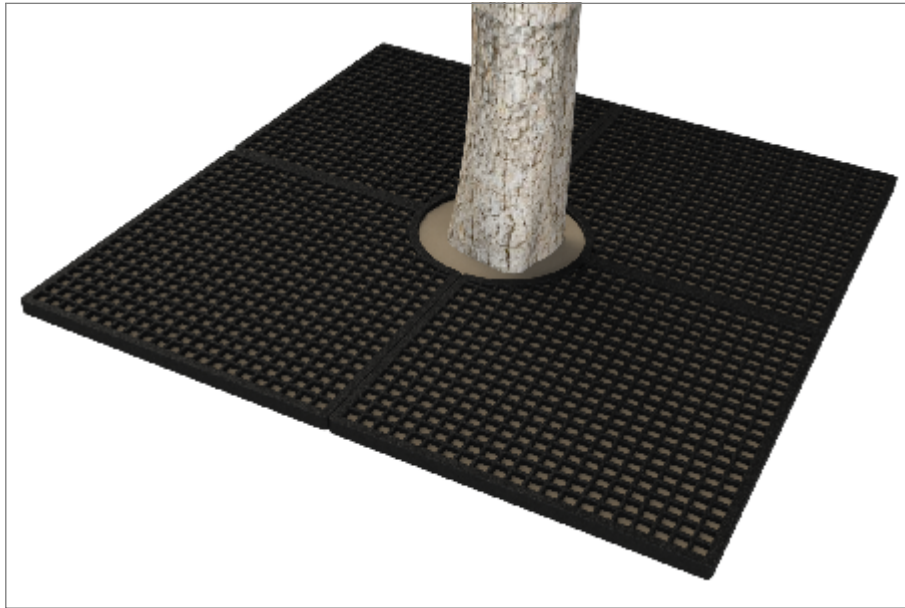
Tree Grilles can be supplied with a range of supporting frames

**Tree Guards:**

ASF offers a large range of tree guards which fix directly to the supporting frames to provide an extremely rigid and effective method of tree protection. See our section on Tree Guards

**Security Clips:**

Security Clips are available to prevent unauthorised removal of the tree grille segments and to further increase the systems rigidity



1:25

## Tree Grille | ASF 321 Recycled Cast Iron Tree Grille

**Material:**

100% recycled engineering grade 250 cast iron as standard. Also available in any grade of recycled ductile cast iron

**Standard Finish:**

Zinc rich primer and metal shield top coat. Finished as standard in satin black, also available in any RAL/BS colour

**Irrigation Holes & Covers:**

ASF can supply tree grilles with irrigation holes and covers. Pattern alterations can also be made to allow grilles to accept uplighters

**Supporting Frames:**

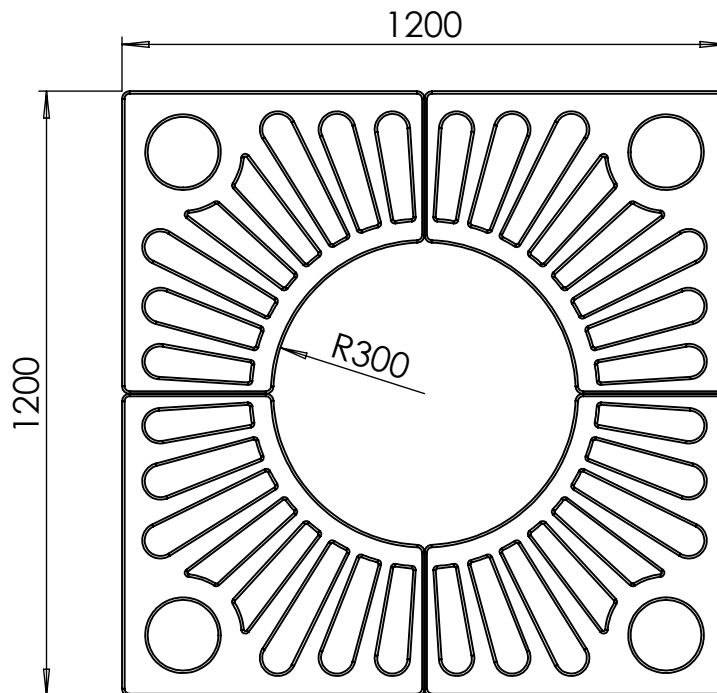
Tree Grilles can be supplied with a range of supporting frames

**Tree Guards:**

ASF offers a large range of tree guards which fix directly to the supporting frames to provide an extremely rigid and effective method of tree protection. See our section on Tree Guards

**Security Clips:**

Security Clips are available to prevent unauthorised removal of the tree grille segments and to further increase the systems rigidity



1:15

## Tree Grille | ASF 322 Recycled Cast Iron Tree Grille

**Material:**

100% recycled engineering grade 250 cast iron as standard. Also available in any grade of recycled ductile cast iron

**Standard Finish:**

Zinc rich primer and metal shield top coat. Finished as standard in satin black, also available in any RAL/BS colour

**Irrigation Holes & Covers:**

ASF can supply tree grilles with irrigation holes and covers. Pattern alterations can also be made to allow grilles to accept uplighters

**Supporting Frames:**

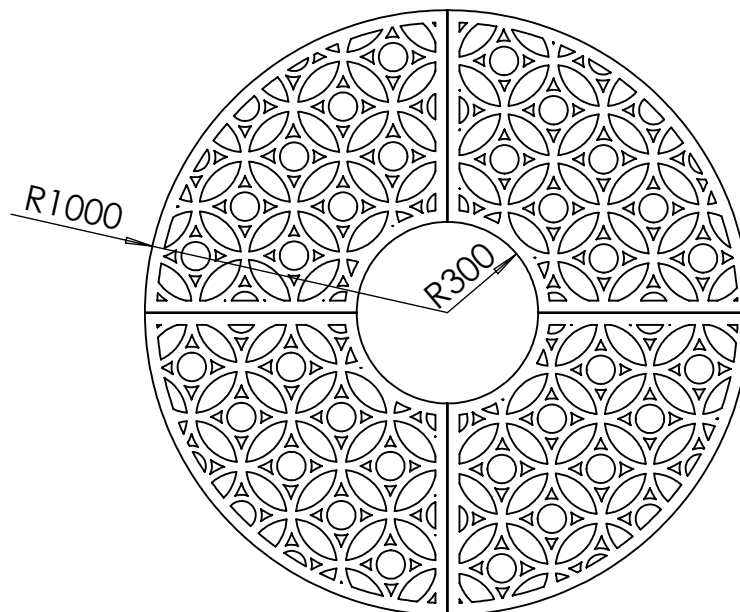
Tree Grilles can be supplied with a range of supporting frames

**Tree Guards:**

ASF offers a large range of tree guards which fix directly to the supporting frames to provide an extremely rigid and effective method of tree protection. See our section on Tree Guards

**Security Clips:**

Security Clips are available to prevent unauthorised removal of the tree grille segments and to further increase the systems rigidity



1:25

## Tree Grille | ASF 323 Recycled Cast Iron Tree Grille

**Material:**

100% recycled engineering grade 250 cast iron as standard. Also available in any grade of recycled ductile cast iron

**Standard Finish:**

Zinc rich primer and metal shield top coat. Finished as standard in satin black, also available in any RAL/BS colour

**Irrigation Holes & Covers:**

ASF can supply tree grilles with irrigation holes and covers. Pattern alterations can also be made to allow grilles to accept uplighters

**Supporting Frames:**

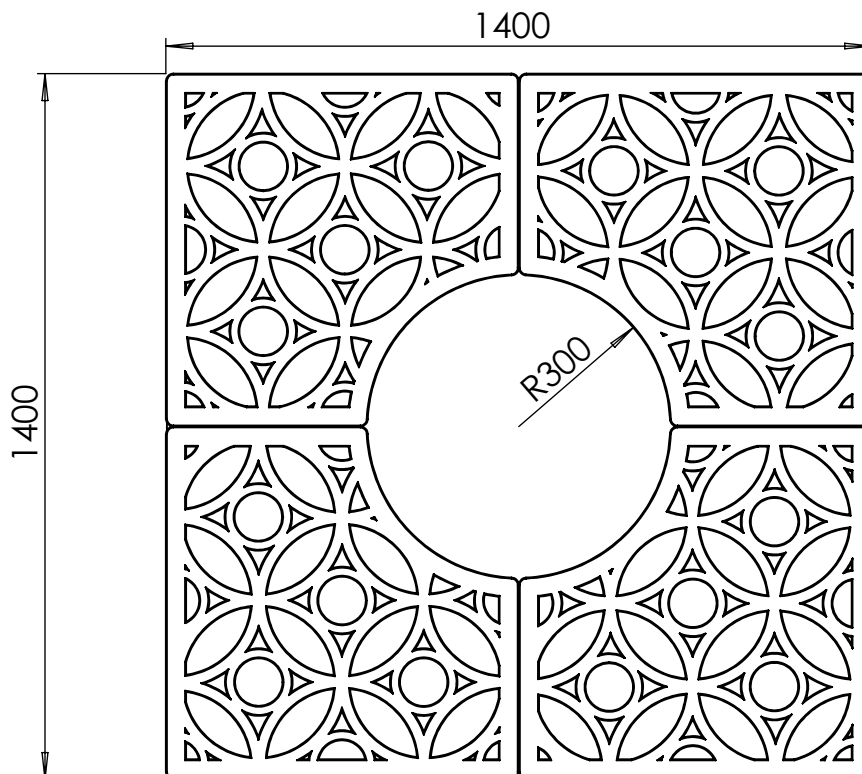
Tree Grilles can be supplied with a range of supporting frames

**Tree Guards:**

ASF offers a large range of tree guards which fix directly to the supporting frames to provide an extremely rigid and effective method of tree protection. See our section on Tree Guards

**Security Clips:**

Security Clips are available to prevent unauthorised removal of the tree grille segments and to further increase the systems rigidity



1:15

## Tree Grille | ASF 324 Recycled Cast Iron Tree Grille

**Material:**

100% recycled engineering grade 250 cast iron as standard. Also available in any grade of recycled ductile cast iron

**Standard Finish:**

Zinc rich primer and metal shield top coat. Finished as standard in satin black, also available in any RAL/BS colour

**Irrigation Holes & Covers:**

ASF can supply tree grilles with irrigation holes and covers. Pattern alterations can also be made to allow grilles to accept uplighters

**Supporting Frames:**

Tree Grilles can be supplied with a range of supporting frames

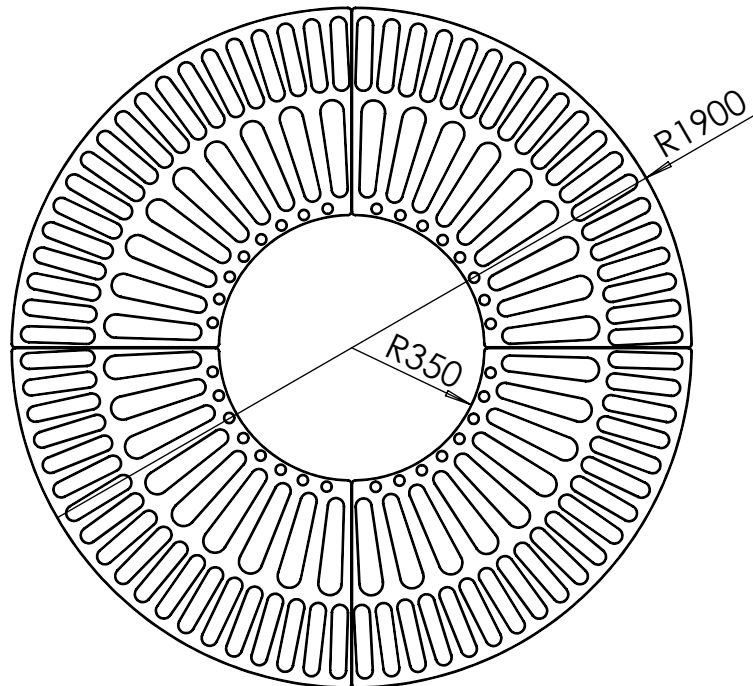
**Tree Guards:**

ASF offers a large range of tree guards which fix directly to the supporting frames to provide an extremely rigid and effective method of tree protection. See our section on Tree Guards

**Security Clips:**

Security Clips are available to prevent unauthorised removal of the tree grille segments and to further increase the systems rigidity





1:20

## Tree Grille | ASF 325 Recycled Cast Iron Tree Grille

**Material:**

100% recycled engineering grade 250 cast iron as standard. Also available in any grade of recycled ductile cast iron

**Standard Finish:**

Zinc rich primer and metal shield top coat. Finished as standard in satin black, also available in any RAL/BS colour

**Irrigation Holes & Covers:**

ASF can supply tree grilles with irrigation holes and covers. Pattern alterations can also be made to allow grilles to accept uplighters

**Supporting Frames:**

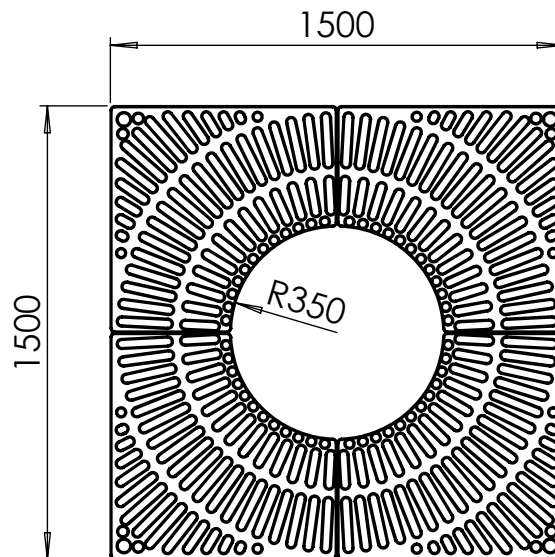
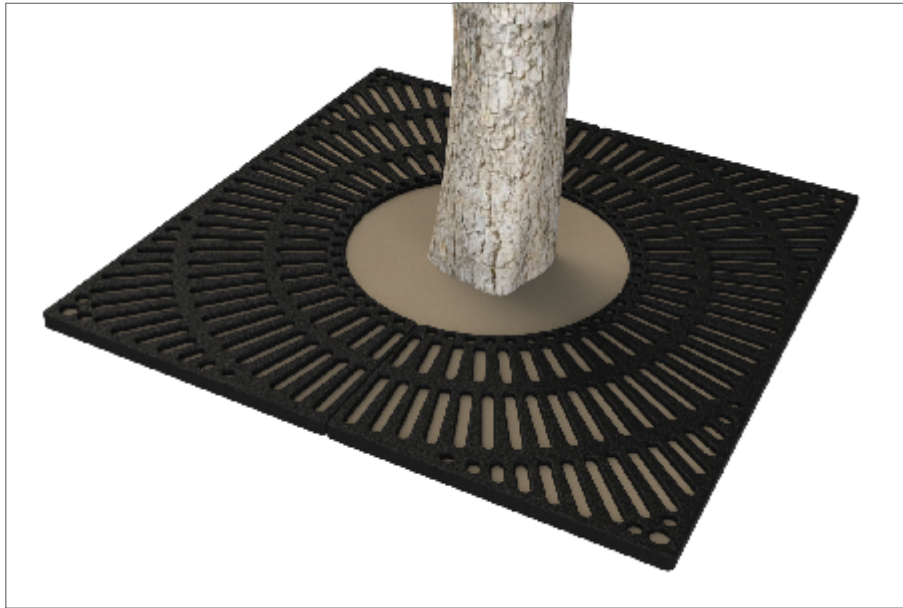
Tree Grilles can be supplied with a range of supporting frames

**Tree Guards:**

ASF offers a large range of tree guards which fix directly to the supporting frames to provide an extremely rigid and effective method of tree protection. See our section on Tree Guards

**Security Clips:**

Security Clips are available to prevent unauthorised removal of the tree grille segments and to further increase the systems rigidity



1:15

## Tree Grille | ASF 326 Recycled Cast Iron Tree Grille

**Material:**

100% recycled engineering grade 250 cast iron as standard. Also available in any grade of recycled ductile cast iron

**Standard Finish:**

Zinc rich primer and metal shield top coat. Finished as standard in satin black, also available in any RAL/BS colour

**Irrigation Holes & Covers:**

ASF can supply tree grilles with irrigation holes and covers. Pattern alterations can also be made to allow grilles to accept uplighters

**Supporting Frames:**

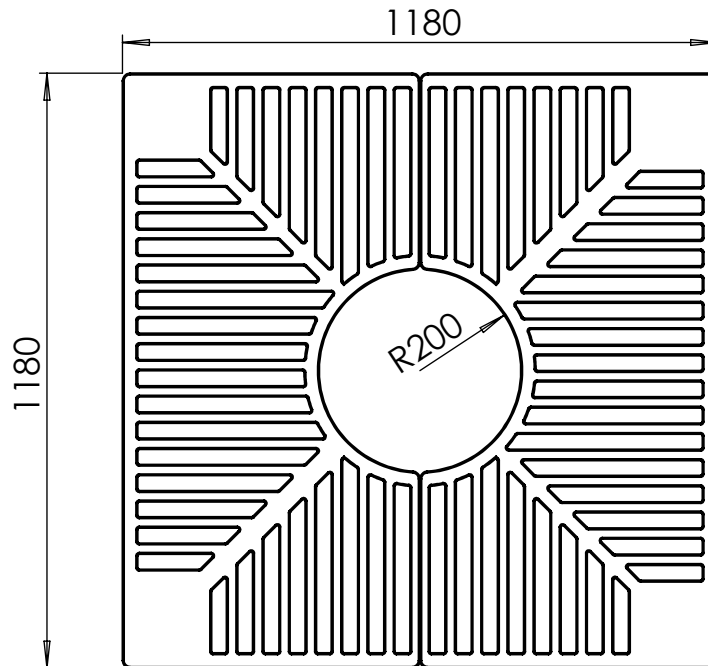
Tree Grilles can be supplied with a range of supporting frames

**Tree Guards:**

ASF offers a large range of tree guards which fix directly to the supporting frames to provide an extremely rigid and effective method of tree protection. See our section on Tree Guards

**Security Clips:**

Security Clips are available to prevent unauthorised removal of the tree grille segments and to further increase the systems rigidity



1:15

## Tree Grille | ASF 327 Recycled Cast Iron Tree Grille

**Material:**

100% recycled engineering grade 250 cast iron as standard. Also available in any grade of recycled ductile cast iron

**Standard Finish:**

Zinc rich primer and metal shield top coat. Finished as standard in satin black, also available in any RAL/BS colour

**Irrigation Holes & Covers:**

ASF can supply tree grilles with irrigation holes and covers. Pattern alterations can also be made to allow grilles to accept uplighters

**Supporting Frames:**

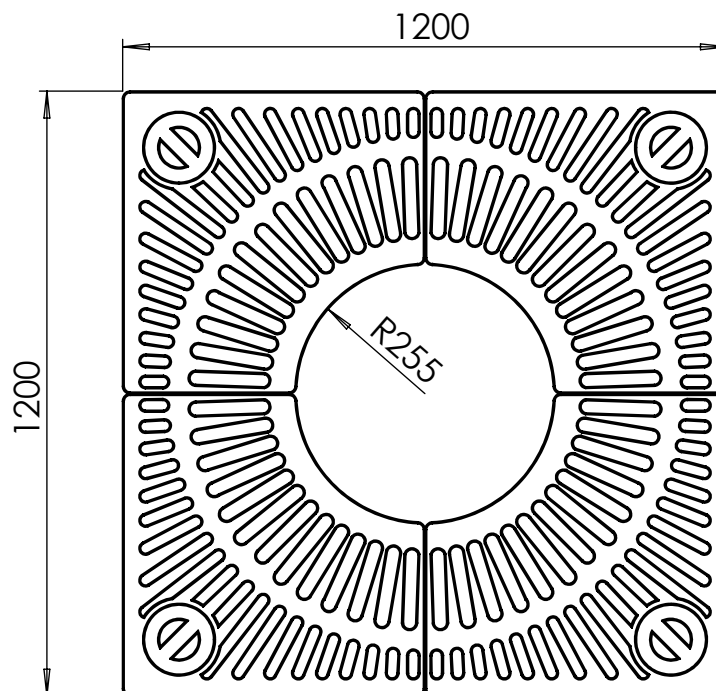
Tree Grilles can be supplied with a range of supporting frames

**Tree Guards:**

ASF offers a large range of tree guards which fix directly to the supporting frames to provide an extremely rigid and effective method of tree protection. See our section on Tree Guards

**Security Clips:**

Security Clips are available to prevent unauthorised removal of the tree grille segments and to further increase the systems rigidity



1:15

## Tree Grille | ASF 328 Recycled Cast Iron Tree Grille

**Material:**

100% recycled engineering grade 250 cast iron as standard. Also available in any grade of recycled ductile cast iron

**Standard Finish:**

Zinc rich primer and metal shield top coat. Finished as standard in satin black, also available in any RAL/BS colour

**Irrigation Holes & Covers:**

ASF can supply tree grilles with irrigation holes and covers. Pattern alterations can also be made to allow grilles to accept uplighters

**Supporting Frames:**

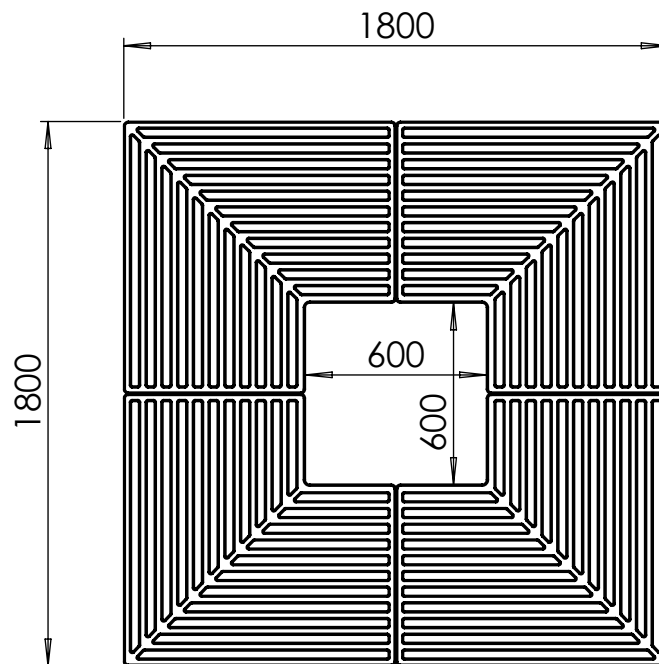
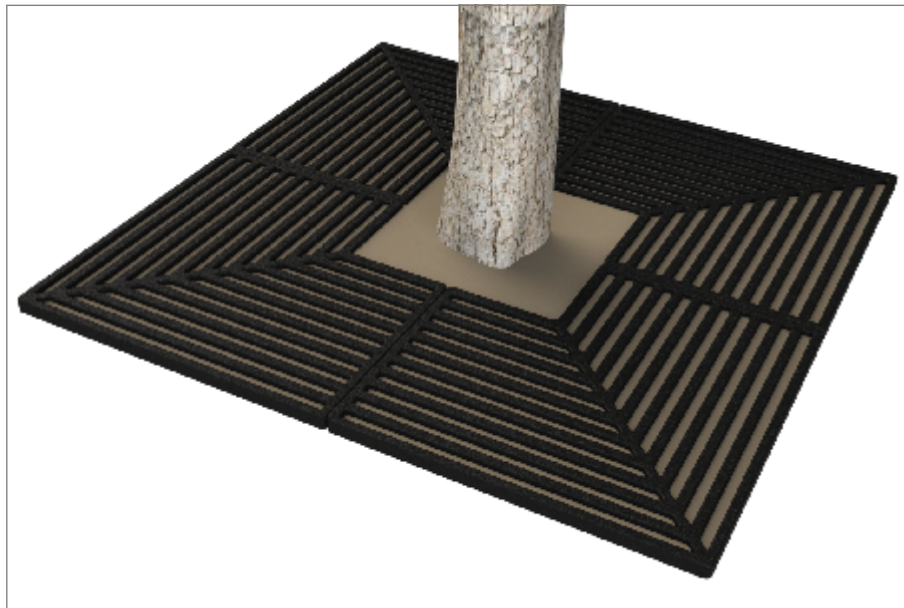
Tree Grilles can be supplied with a range of supporting frames

**Tree Guards:**

ASF offers a large range of tree guards which fix directly to the supporting frames to provide an extremely rigid and effective method of tree protection. See our section on Tree Guards

**Security Clips:**

Security Clips are available to prevent unauthorised removal of the tree grille segments and to further increase the systems rigidity



1:25

## Tree Grille | ASF 329 Recycled Cast Iron Tree Grille

**Material:**

100% recycled engineering grade 250 cast iron as standard. Also available in any grade of recycled ductile cast iron

**Standard Finish:**

Zinc rich primer and metal shield top coat. Finished as standard in satin black, also available in any RAL/BS colour

**Irrigation Holes & Covers:**

ASF can supply tree grilles with irrigation holes and covers. Pattern alterations can also be made to allow grilles to accept uplighters

**Supporting Frames:**

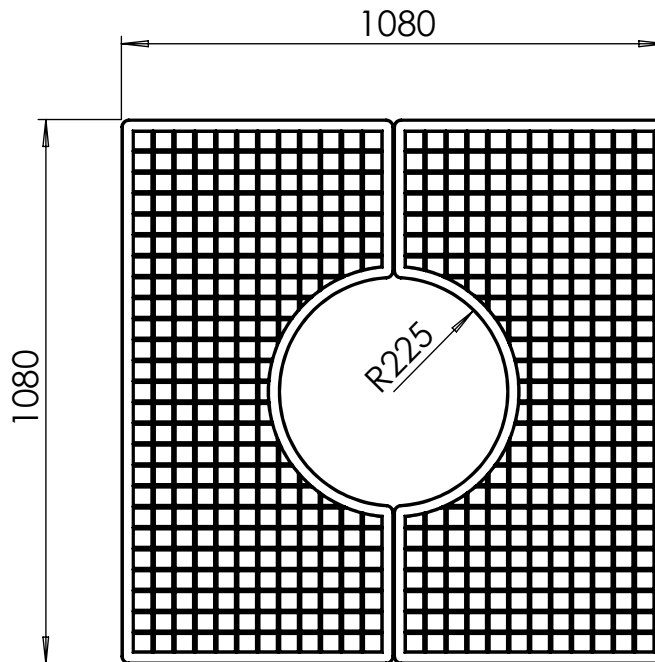
Tree Grilles can be supplied with a range of supporting frames

**Tree Guards:**

ASF offers a large range of tree guards which fix directly to the supporting frames to provide an extremely rigid and effective method of tree protection. See our section on Tree Guards

**Security Clips:**

Security Clips are available to prevent unauthorised removal of the tree grille segments and to further increase the systems rigidity



1:15

## Tree Grille | ASF 330 Recycled Cast Iron Tree Grille

**Material:**

100% recycled engineering grade 250 cast iron as standard. Also available in any grade of recycled ductile cast iron

**Standard Finish:**

Zinc rich primer and metal shield top coat. Finished as standard in satin black, also available in any RAL/BS colour

**Irrigation Holes & Covers:**

ASF can supply tree grilles with irrigation holes and covers. Pattern alterations can also be made to allow grilles to accept uplighters

**Supporting Frames:**

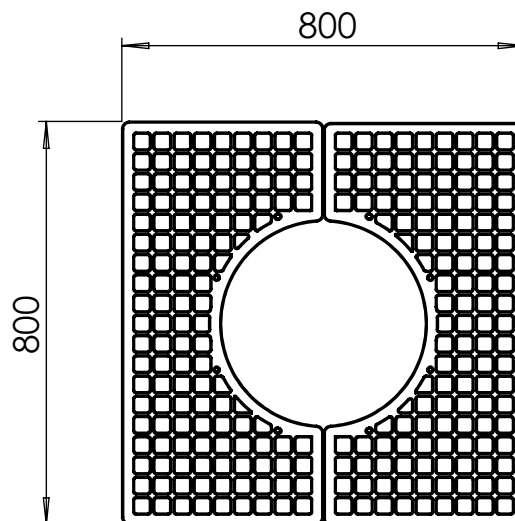
Tree Grilles can be supplied with a range of supporting frames

**Tree Guards:**

ASF offers a large range of tree guards which fix directly to the supporting frames to provide an extremely rigid and effective method of tree protection. See our section on Tree Guards

**Security Clips:**

Security Clips are available to prevent unauthorised removal of the tree grille segments and to further increase the systems rigidity



1:15

## Tree Grille | ASF 331 Recycled Cast Iron Tree Grille

**Material:**

100% recycled engineering grade 250 cast iron as standard. Also available in any grade of recycled ductile cast iron

**Standard Finish:**

Zinc rich primer and metal shield top coat. Finished as standard in satin black, also available in any RAL/BS colour

**Irrigation Holes & Covers:**

ASF can supply tree grilles with irrigation holes and covers. Pattern alterations can also be made to allow grilles to accept uplighters

**Supporting Frames:**

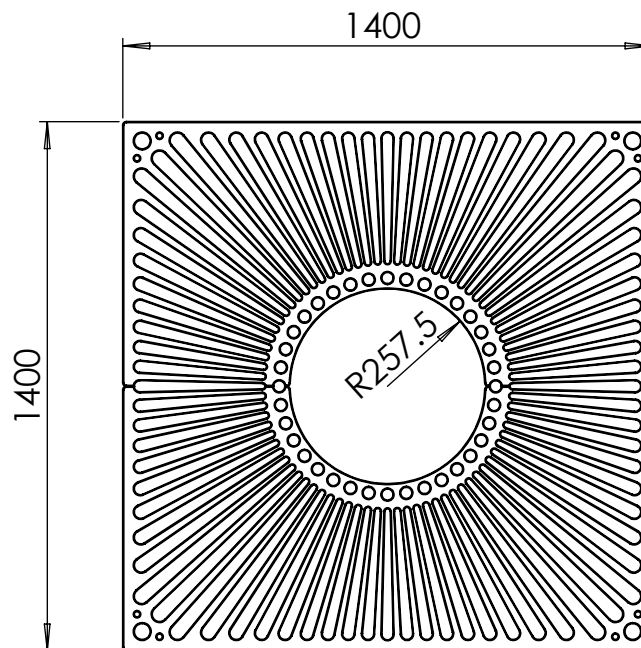
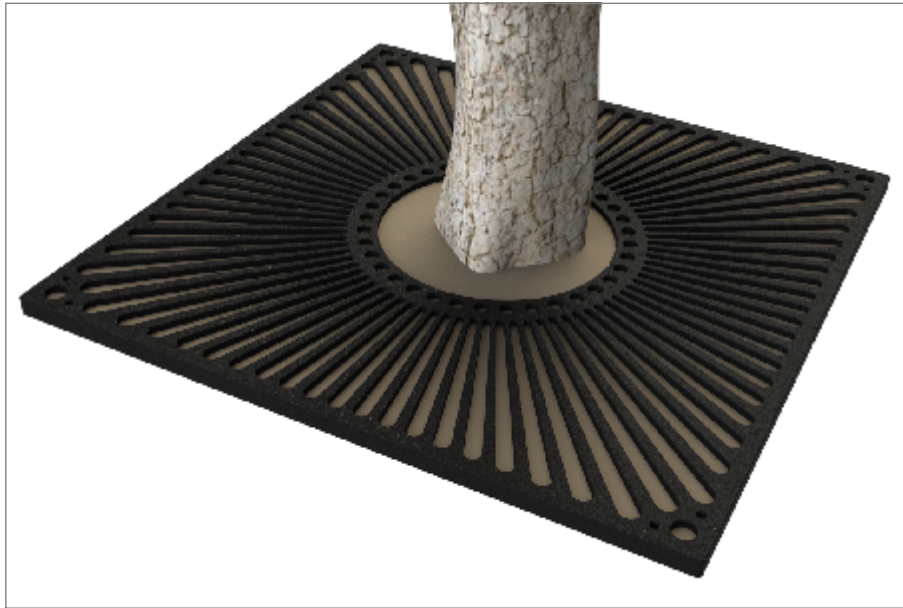
Tree Grilles can be supplied with a range of supporting frames

**Tree Guards:**

ASF offers a large range of tree guards which fix directly to the supporting frames to provide an extremely rigid and effective method of tree protection. See our section on Tree Guards

**Security Clips:**

Security Clips are available to prevent unauthorised removal of the tree grille segments and to further increase the systems rigidity



1:15

## Tree Grille | ASF 332 Recycled Cast Iron Tree Grille

**Material:**

100% recycled engineering grade 250 cast iron as standard. Also available in any grade of recycled ductile cast iron

**Standard Finish:**

Zinc rich primer and metal shield top coat. Finished as standard in satin black, also available in any RAL/BS colour

**Irrigation Holes & Covers:**

ASF can supply tree grilles with irrigation holes and covers. Pattern alterations can also be made to allow grilles to accept uplighters

**Supporting Frames:**

Tree Grilles can be supplied with a range of supporting frames

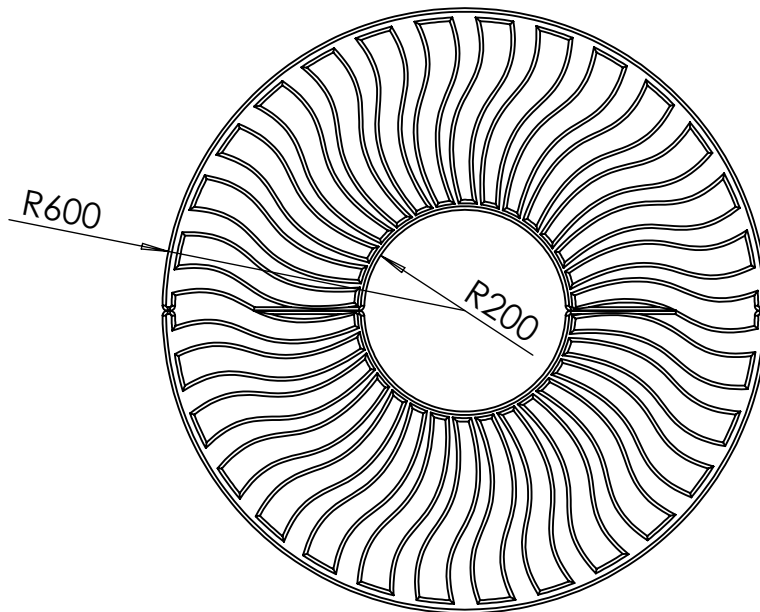
**Tree Guards:**

ASF offers a large range of tree guards which fix directly to the supporting frames to provide an extremely rigid and effective method of tree protection. See our section on Tree Guards

**Security Clips:**

Security Clips are available to prevent unauthorised removal of the tree grille segments and to further increase the systems rigidity





1:15

## Tree Grille | ASF 333 Recycled Cast Iron Tree Grille

**Material:**

100% recycled engineering grade 250 cast iron as standard. Also available in any grade of recycled ductile cast iron

**Standard Finish:**

Zinc rich primer and metal shield top coat. Finished as standard in satin black, also available in any RAL/BS colour

**Irrigation Holes & Covers:**

ASF can supply tree grilles with irrigation holes and covers. Pattern alterations can also be made to allow grilles to accept uplighters

**Supporting Frames:**

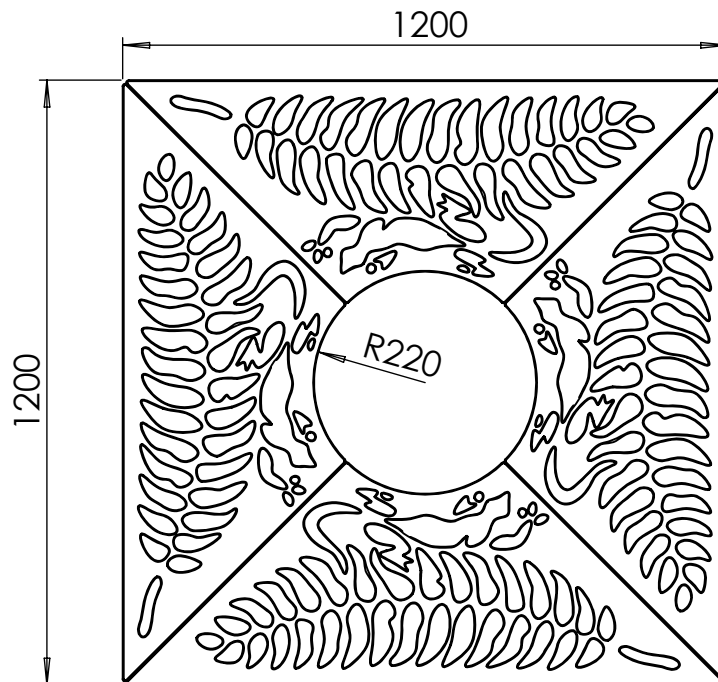
Tree Grilles can be supplied with a range of supporting frames

**Tree Guards:**

ASF offers a large range of tree guards which fix directly to the supporting frames to provide an extremely rigid and effective method of tree protection. See our section on Tree Guards

**Security Clips:**

Security Clips are available to prevent unauthorised removal of the tree grille segments and to further increase the systems rigidity



1:15

## Tree Grille | ASF 334 Recycled Cast Iron Tree Grille

**Material:**

100% recycled engineering grade 250 cast iron as standard. Also available in any grade of recycled ductile cast iron

**Standard Finish:**

Zinc rich primer and metal shield top coat. Finished as standard in satin black, also available in any RAL/BS colour

**Irrigation Holes & Covers:**

ASF can supply tree grilles with irrigation holes and covers. Pattern alterations can also be made to allow grilles to accept uplighters

**Supporting Frames:**

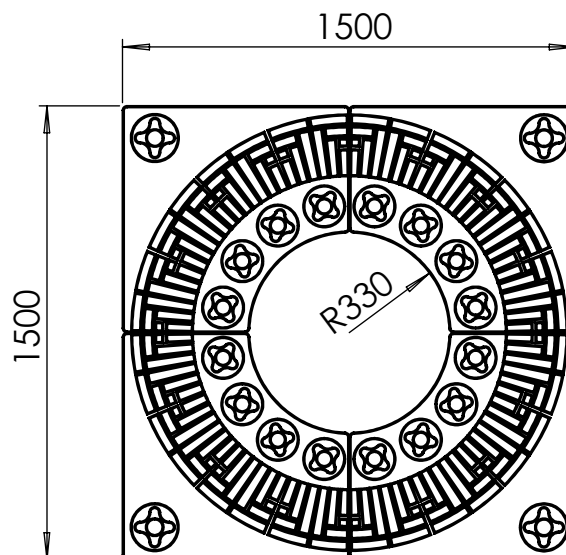
Tree Grilles can be supplied with a range of supporting frames

**Tree Guards:**

ASF offers a large range of tree guards which fix directly to the supporting frames to provide an extremely rigid and effective method of tree protection. See our section on Tree Guards

**Security Clips:**

Security Clips are available to prevent unauthorised removal of the tree grille segments and to further increase the systems rigidity



1:25

## Tree Grille | ASF 335 Recycled Cast Iron Tree Grille

**Material:**

100% recycled engineering grade 250 cast iron as standard. Also available in any grade of recycled ductile cast iron

**Standard Finish:**

Zinc rich primer and metal shield top coat. Finished as standard in satin black, also available in any RAL/BS colour

**Irrigation Holes & Covers:**

ASF can supply tree grilles with irrigation holes and covers. Pattern alterations can also be made to allow grilles to accept uplighters

**Supporting Frames:**

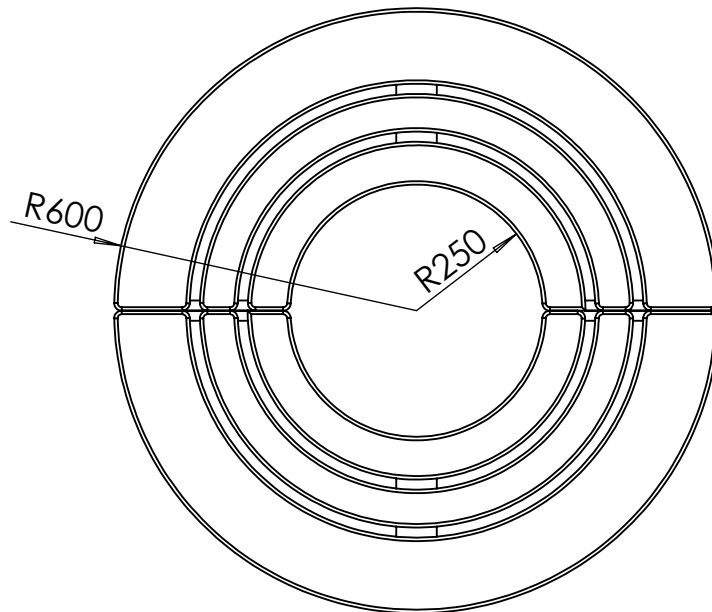
Tree Grilles can be supplied with a range of supporting frames

**Tree Guards:**

ASF offers a large range of tree guards which fix directly to the supporting frames to provide an extremely rigid and effective method of tree protection. See our section on Tree Guards

**Security Clips:**

Security Clips are available to prevent unauthorised removal of the tree grille segments and to further increase the systems rigidity



1:15

## Tree Grille | ASF 336 Recycled Cast Iron Tree Grille

**Material:**

100% recycled engineering grade 250 cast iron as standard. Also available in any grade of recycled ductile cast iron

**Standard Finish:**

Zinc rich primer and metal shield top coat. Finished as standard in satin black, also available in any RAL/BS colour

**Irrigation Holes & Covers:**

ASF can supply tree grilles with irrigation holes and covers. Pattern alterations can also be made to allow grilles to accept uplighters

**Supporting Frames:**

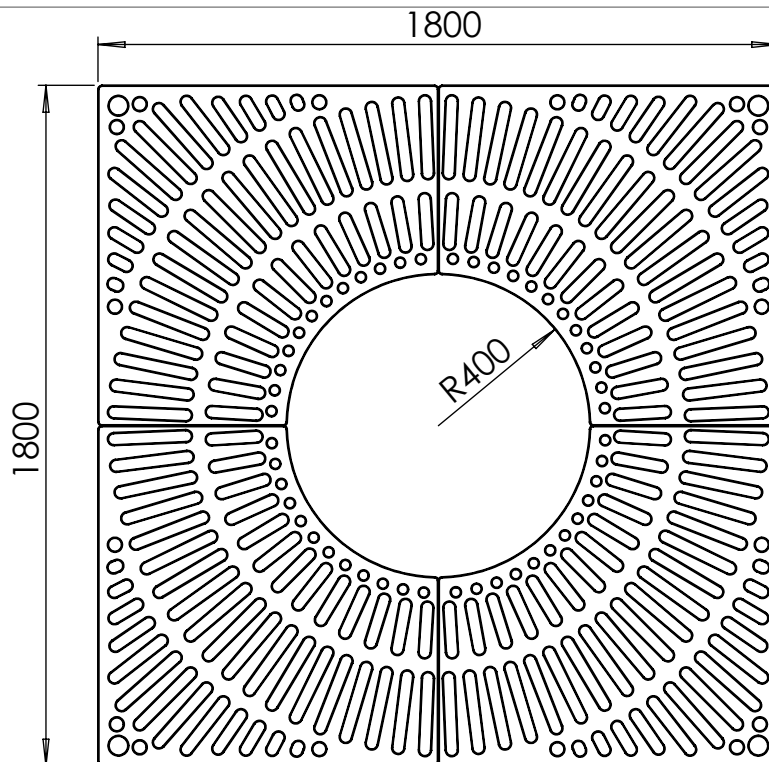
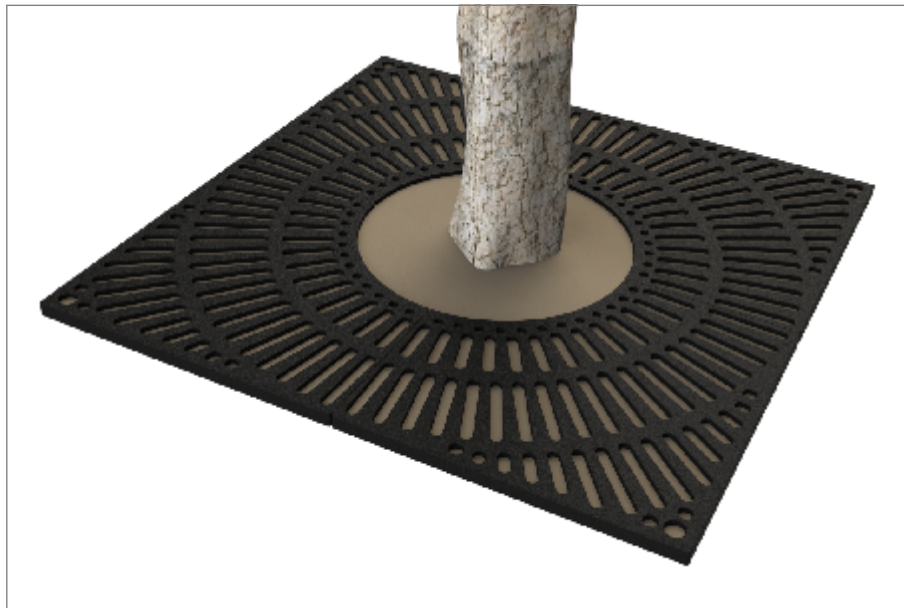
Tree Grilles can be supplied with a range of supporting frames

**Tree Guards:**

ASF offers a large range of tree guards which fix directly to the supporting frames to provide an extremely rigid and effective method of tree protection. See our section on Tree Guards

**Security Clips:**

Security Clips are available to prevent unauthorised removal of the tree grille segments and to further increase the systems rigidity



1:20

## Tree Grille | ASF 337 Recycled Cast Iron Tree Grille

**Material:**

100% recycled engineering grade 250 cast iron as standard. Also available in any grade of recycled ductile cast iron

**Standard Finish:**

Zinc rich primer and metal shield top coat. Finished as standard in satin black, also available in any RAL/BS colour

**Irrigation Holes & Covers:**

ASF can supply tree grilles with irrigation holes and covers. Pattern alterations can also be made to allow grilles to accept uplighters

**Supporting Frames:**

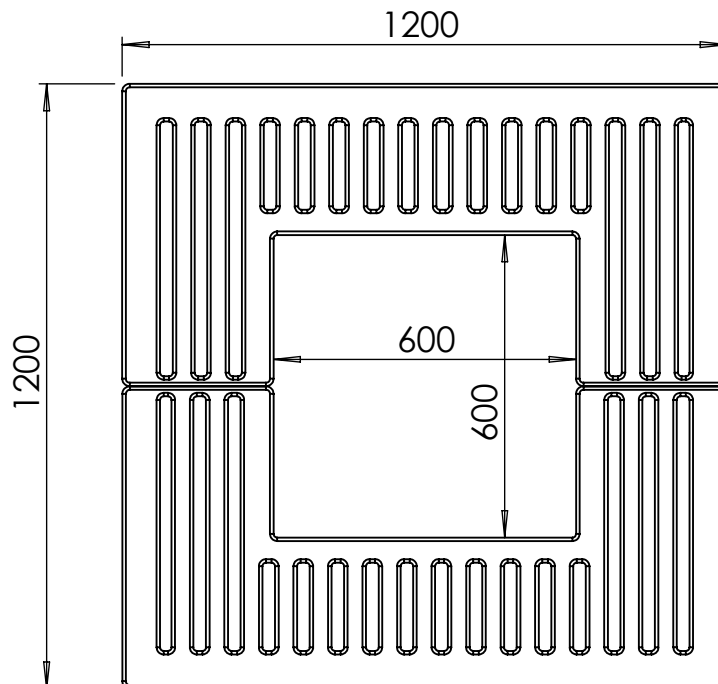
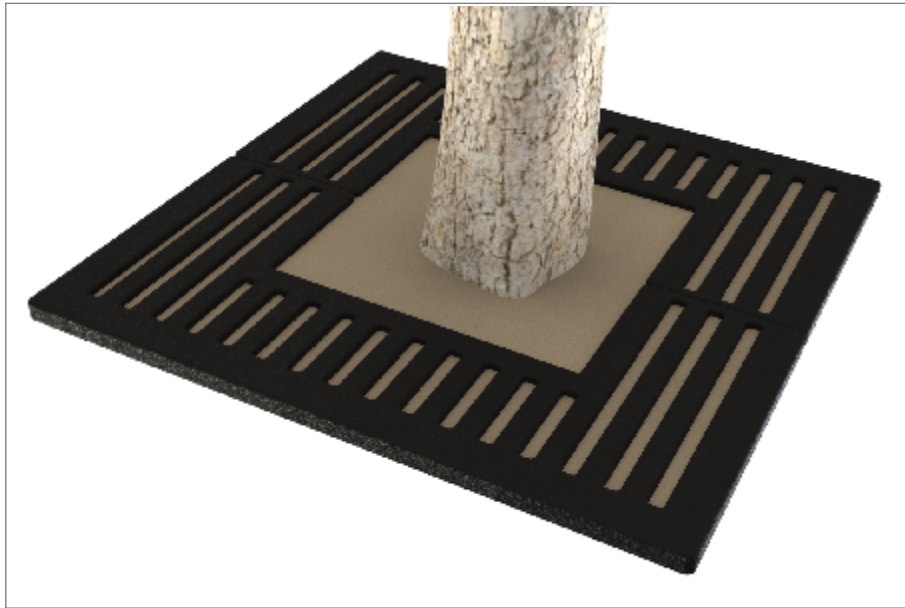
Tree Grilles can be supplied with a range of supporting frames

**Tree Guards:**

ASF offers a large range of tree guards which fix directly to the supporting frames to provide an extremely rigid and effective method of tree protection. See our section on Tree Guards

**Security Clips:**

Security Clips are available to prevent unauthorised removal of the tree grille segments and to further increase the systems rigidity



1:15

## Tree Grille | ASF 338 Recycled Cast Iron Tree Grille

**Material:**

100% recycled engineering grade 250 cast iron as standard. Also available in any grade of recycled ductile cast iron

**Standard Finish:**

Zinc rich primer and metal shield top coat. Finished as standard in satin black, also available in any RAL/BS colour

**Irrigation Holes & Covers:**

ASF can supply tree grilles with irrigation holes and covers. Pattern alterations can also be made to allow grilles to accept uplighters

**Supporting Frames:**

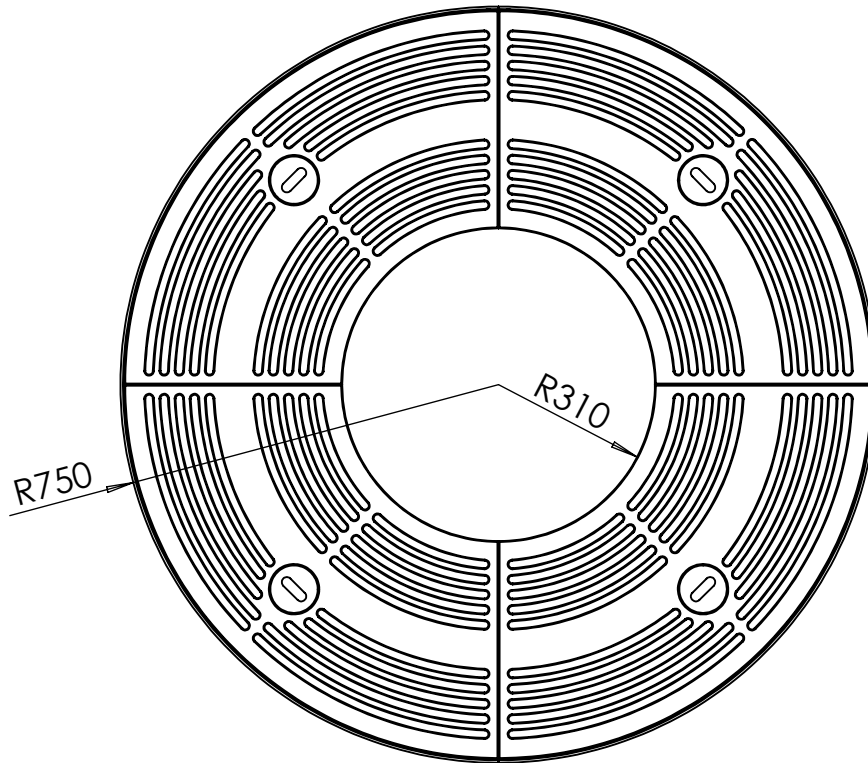
Tree Grilles can be supplied with a range of supporting frames

**Tree Guards:**

ASF offers a large range of tree guards which fix directly to the supporting frames to provide an extremely rigid and effective method of tree protection. See our section on Tree Guards

**Security Clips:**

Security Clips are available to prevent unauthorised removal of the tree grille segments and to further increase the systems rigidity



1:15

## Tree Grille | ASF 339 Recycled Cast Iron Tree Grille

**Material:**

100% recycled engineering grade 250 cast iron as standard. Also available in any grade of recycled ductile cast iron

**Standard Finish:**

Zinc rich primer and metal shield top coat. Finished as standard in satin black, also available in any RAL/BS colour

**Irrigation Holes & Covers:**

ASF can supply tree grilles with irrigation holes and covers. Pattern alterations can also be made to allow grilles to accept uplighters

**Supporting Frames:**

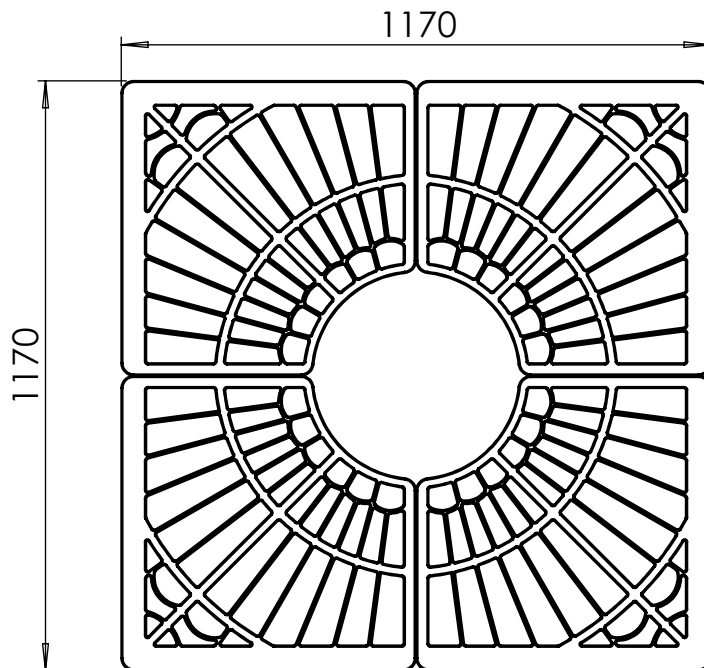
Tree Grilles can be supplied with a range of supporting frames

**Tree Guards:**

ASF offers a large range of tree guards which fix directly to the supporting frames to provide an extremely rigid and effective method of tree protection. See our section on Tree Guards

**Security Clips:**

Security Clips are available to prevent unauthorised removal of the tree grille segments and to further increase the systems rigidity



1:15

## Tree Grille | ASF 340 Recycled Cast Iron Tree Grille

**Material:**

100% recycled engineering grade 250 cast iron as standard. Also available in any grade of recycled ductile cast iron

**Standard Finish:**

Zinc rich primer and metal shield top coat. Finished as standard in satin black, also available in any RAL/BS colour

**Irrigation Holes & Covers:**

ASF can supply tree grilles with irrigation holes and covers. Pattern alterations can also be made to allow grilles to accept uplighters

**Supporting Frames:**

Tree Grilles can be supplied with a range of supporting frames

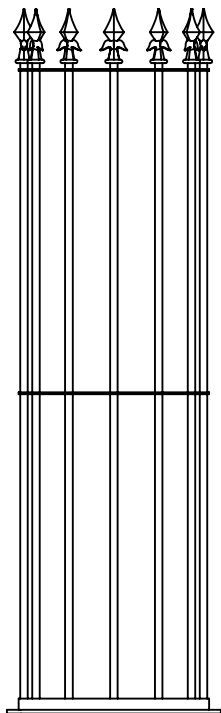
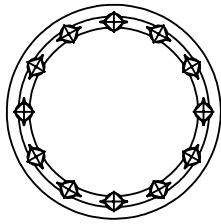
**Tree Guards:**

ASF offers a large range of tree guards which fix directly to the supporting frames to provide an extremely rigid and effective method of tree protection. See our section on Tree Guards

**Security Clips:**

Security Clips are available to prevent unauthorised removal of the tree grille segments and to further increase the systems rigidity





## Tree Guards ASF 801 - Bolt Fix Base

### Materials

Standard Finish

Optional Finish

Fixing Options

Other Options

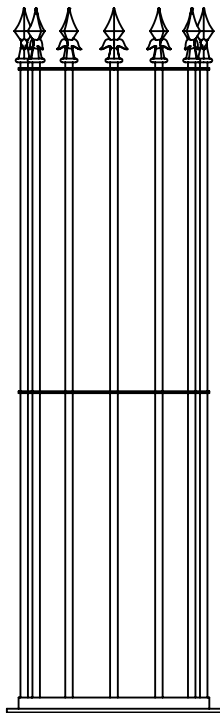
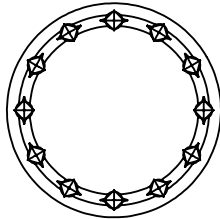
Mild Steel

Acid etched, zinc rich primed and polyester powder coated in any RAL/BS colour

Galvanised to BS EN 1461:2009. Also available in polished stainless steel

If used with ASF Supporting Frames & Tree Grilles, the base of tree guard bolts directly to the inner of the Supporting Frame. If not used with ASF Supporting Frame & Tree Grilles, the Tree Guards come with 400mm length ground fixing legs

Standard Height - 1800mm Other heights on request Standard Diameter - 420mm Outside Diameter. Other Diameters available on request



## Tree Guards ASF 802 - Bolt Fix Base

### Materials

### Standard Finish

### Optional Finish

### Fixing Options

### Other Options

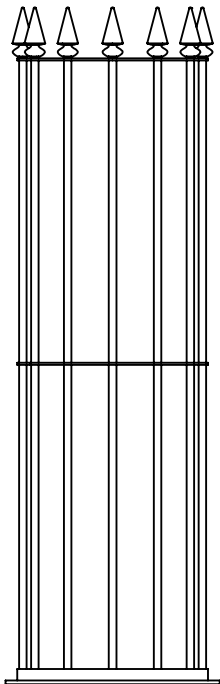
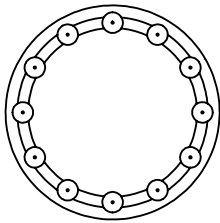
Mild Steel

Acid etched, zinc rich primed and polyester powder coated in any RAL/BS colour

Galvanised to BS EN 1461:2009. Also available in polished stainless steel

If used with ASF Supporting Frames & Tree Grilles, the base of tree guard bolts directly to the inner of the Supporting Frame. If not used with ASF Supporting Frame & Tree Grilles, the Tree Guards come with 400mm length ground fixing legs

Standard Height - 1800mm Other heights on request Standard Diameter - 420mm Outside Diameter. Other Diameters available on request



## Tree Guards ASF 803 - Bolt Fix Base

### Materials

Mild Steel

### Standard Finish

Acid etched, zinc rich primed and polyester powder coated in any RAL/BS colour

### Optional Finish

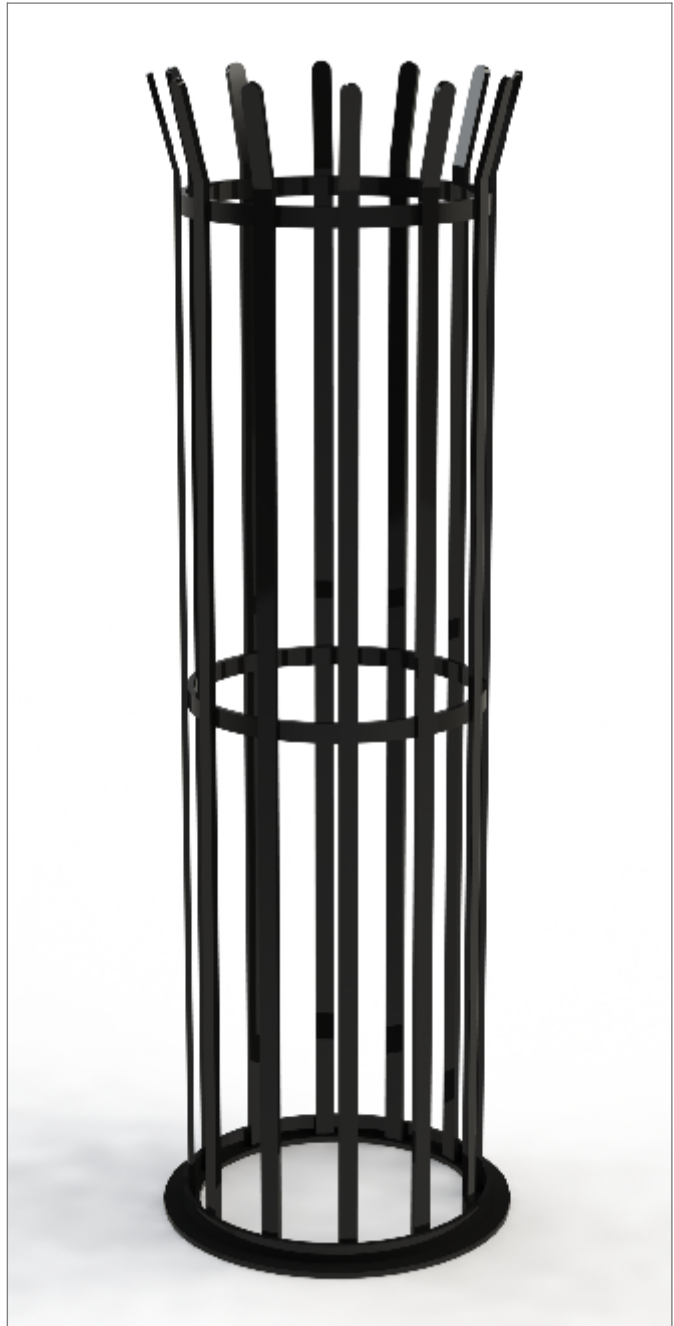
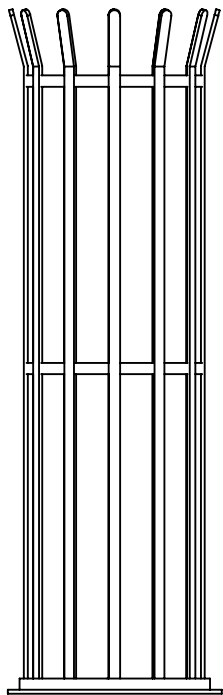
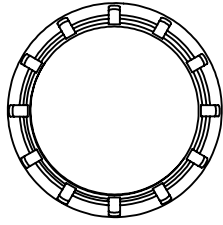
Galvanised to BS EN 1461:2009. Also available in polished stainless steel

### Fixing Options

If used with ASF Supporting Frames & Tree Grilles, the base of tree guard bolts directly to the inner of the Supporting Frame. If not used with ASF Supporting Frame & Tree Grilles, the Tree Guards come with 400mm length ground fixing legs

### Other Options

Standard Height - 1800mm Other heights on request Standard Diameter - 420mm Outside Diameter. Other Diameters available on request



## Tree Guards ASF 804 - Bolt Fix Base

### Materials

Mild Steel

### Standard Finish

Acid etched, zinc rich primed and polyester powder coated in any RAL/BS colour

### Optional Finish

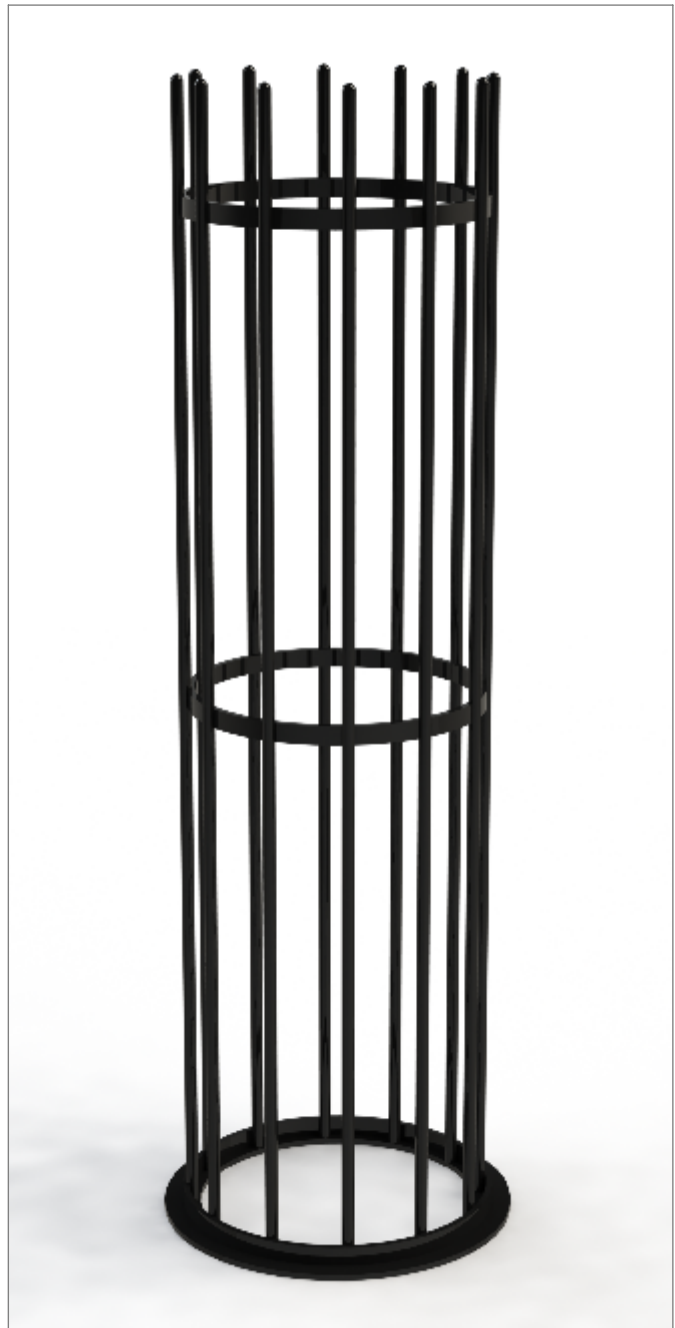
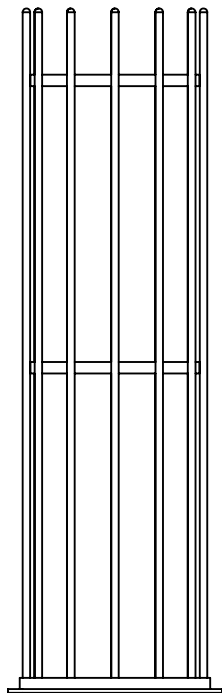
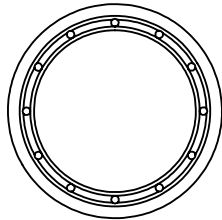
Galvanised to BS EN 1461:2009. Also available in polished stainless steel

### Fixing Options

If used with ASF Supporting Frames & Tree Grilles, the base of tree guard bolts directly to the inner of the Supporting Frame. If not used with ASF Supporting Frame & Tree Grilles, the Tree Guards come with 400mm length ground fixing legs

### Other Options

Standard Height - 1800mm Other heights on request Standard Diameter - 420mm Outside Diameter. Other Diameters available on request



## Tree Guards ASF 805 - Bolt Fix Base

### Materials

Mild Steel

### Standard Finish

Acid etched, zinc rich primed and polyester powder coated in any RAL/BS colour

### Optional Finish

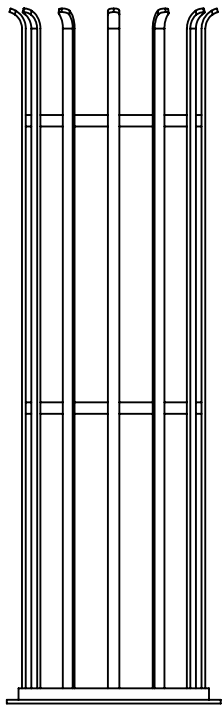
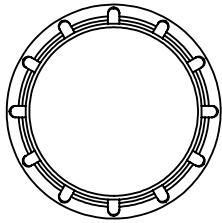
Galvanised to BS EN 1461:2009. Also available in polished stainless steel

### Fixing Options

If used with ASF Supporting Frames & Tree Grilles, the base of tree guard bolts directly to the inner of the Supporting Frame. If not used with ASF Supporting Frame & Tree Grilles, the Tree Guards come with 400mm length ground fixing legs

### Other Options

Standard Height - 1800mm Other heights on request Standard Diameter - 420mm Outside Diameter. Other Diameters available on request



## Tree Guards ASF 806 - Bolt Fix Base

### Materials

Mild Steel

### Standard Finish

Acid etched, zinc rich primed and polyester powder coated in any RAL/BS colour

### Optional Finish

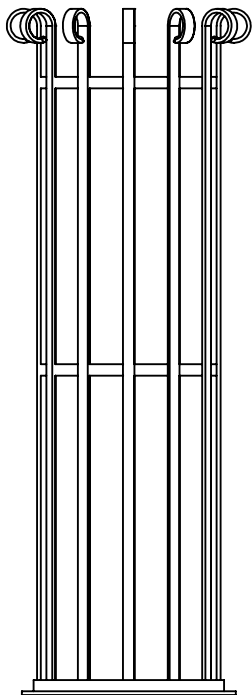
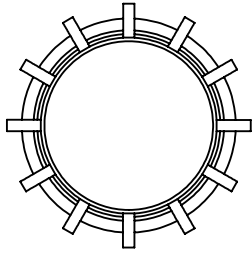
Galvanised to BS EN 1461:2009. Also available in polished stainless steel

### Fixing Options

If used with ASF Supporting Frames & Tree Grilles, the base of tree guard bolts directly to the inner of the Supporting Frame. If not used with ASF Supporting Frame & Tree Grilles, the Tree Guards come with 400mm length ground fixing legs

### Other Options

Standard Height - 1800mm Other heights on request Standard Diameter - 420mm Outside Diameter. Other Diameters available on request



## Tree Guards ASF 807 - Bolt Fix Base

### Materials

Mild Steel

### Standard Finish

Acid etched, zinc rich primed and polyester powder coated in any RAL/BS colour

### Optional Finish

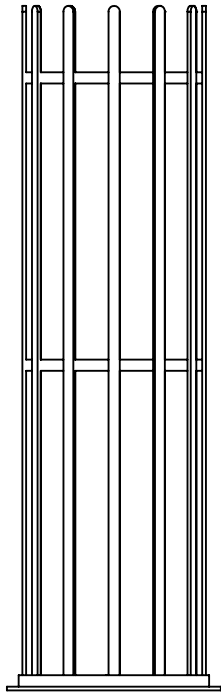
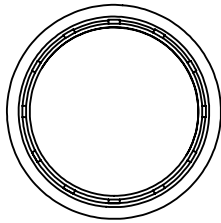
Galvanised to BS EN 1461:2009. Also available in polished stainless steel

### Fixing Options

If used with ASF Supporting Frames & Tree Grilles, the base of tree guard bolts directly to the inner of the Supporting Frame. If not used with ASF Supporting Frame & Tree Grilles, the Tree Guards come with 400mm length ground fixing legs

### Other Options

Standard Height - 1800mm Other heights on request Standard Diameter - 420mm Outside Diameter. Other Diameters available on request



## Tree Guards ASF 808 - Bolt Fix Base

### Materials

Mild Steel

### Standard Finish

Acid etched, zinc rich primed and polyester powder coated in any RAL/BS colour

### Optional Finish

Galvanised to BS EN 1461:2009. Also available in polished stainless steel

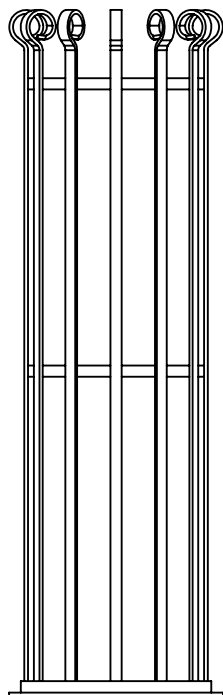
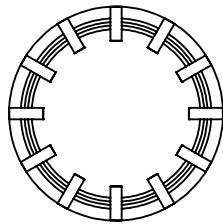
### Fixing Options

If used with ASF Supporting Frames & Tree Grilles, the base of tree guard bolts directly to the inner of the Supporting Frame. If not used with ASF Supporting Frame & Tree Grilles, the Tree Guards come with 400mm length ground fixing legs

### Other Options

Standard Height - 1800mm Other heights on request Standard Diameter - 420mm Outside Diameter. Other Diameters available on request





## Tree Guards ASF 809 - Bolt Fix Base

### Materials

Mild Steel

### Standard Finish

Acid etched, zinc rich primed and polyester powder coated in any RAL/BS colour

### Optional Finish

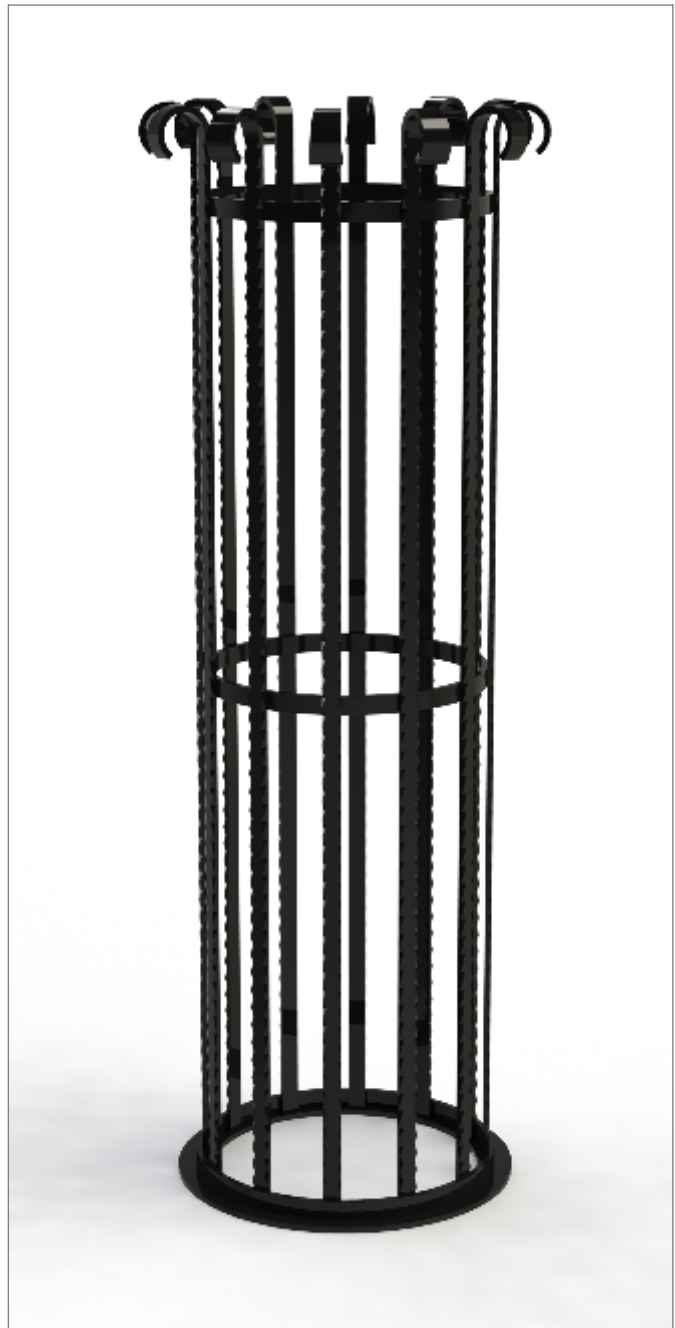
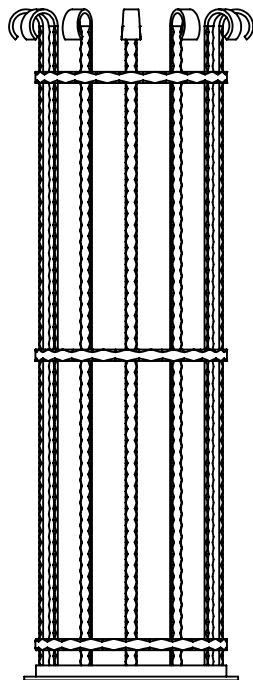
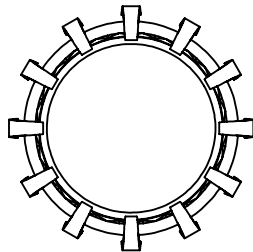
Galvanised to BS EN 1461:2009. Also available in polished stainless steel

### Fixing Options

If used with ASF Supporting Frames & Tree Grilles, the base of tree guard bolts directly to the inner of the Supporting Frame. If not used with ASF Supporting Frame & Tree Grilles, the Tree Guards come with 400mm length ground fixing legs

### Other Options

Standard Height - 1800mm Other heights on request Standard Diameter - 420mm Outside Diameter. Other Diameters available on request



## Tree Guards ASF 810 - Bolt Fix Base

### Materials

Mild Steel

### Standard Finish

Acid etched, zinc rich primed and polyester powder coated in any RAL/BS colour

### Optional Finish

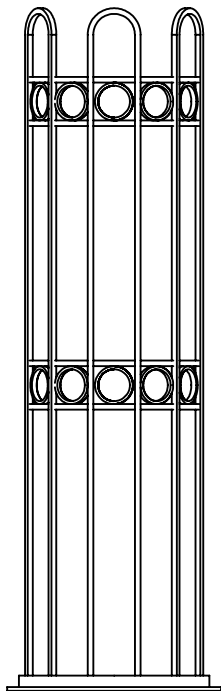
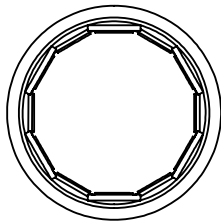
Galvanised to BS EN 1461:2009. Also available in polished stainless steel

### Fixing Options

If used with ASF Supporting Frames & Tree Grilles, the base of tree guard bolts directly to the inner of the Supporting Frame. If not used with ASF Supporting Frame & Tree Grilles, the Tree Guards come with 400mm length ground fixing legs

### Other Options

Standard Height - 1800mm Other heights on request Standard Diameter - 420mm Outside Diameter. Other Diameters available on request



## Tree Guards ASF 811 - Bolt Fix Base

### Materials

### Standard Finish

### Optional Finish

### Fixing Options

### Other Options

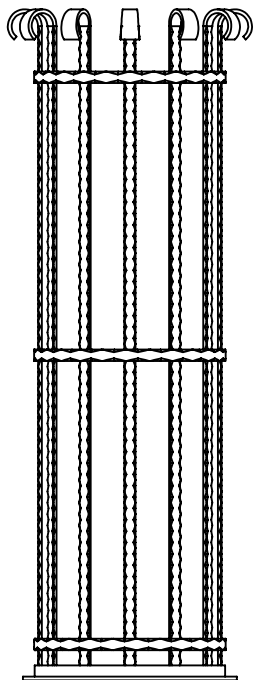
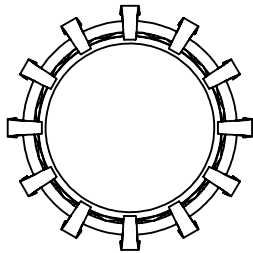
Mild Steel

Acid etched, zinc rich primed and polyester powder coated in any RAL/BS colour

Galvanised to BS EN 1461:2009. Also available in polished stainless steel

If used with ASF Supporting Frames & Tree Grilles, the base of tree guard bolts directly to the inner of the Supporting Frame. If not used with ASF Supporting Frame & Tree Grilles, the Tree Guards come with 400mm length ground fixing legs

Standard Height - 1800mm Other heights on request Standard Diameter - 420mm Outside Diameter. Other Diameters available on request



## Tree Guards ASF 812 - Bolt Fix Base

### Materials

Mild Steel

### Standard Finish

Acid etched, zinc rich primed and polyester powder coated in any RAL/BS colour

### Optional Finish

Galvanised to BS EN 1461:2009. Also available in polished stainless steel

### Fixing Options

If used with ASF Supporting Frames & Tree Grilles, the base of tree guard bolts directly to the inner of the Supporting Frame. If not used with ASF Supporting Frame & Tree Grilles, the Tree Guards come with 400mm length ground fixing legs

### Other Options

Standard Height - 1800mm Other heights on request Standard Diameter - 420mm Outside Diameter. Other Diameters available on request